

8-Bottle Capacity Wine Cellar

HVTEC08ABS



Available

Unit Specifications

Width	10"
Depth	20 5/8"
Height	17 3/4"
Weight	20.9 lbs.
UPC	688057382555

More Easy-To-Use Features

- Curved Door with Smoked Glass with Black Trim/Black Cabinet
- Adjustable Digital Thermostat Control with Blue LED Display 46-66°F
- Soft Interior Light
- 4 Full Width Chrome Wire Storage Racks
- Black Cabinet with Black Door trim
- Ultra Quiet Thermoelectric Cooling
- Ideal for Countertop Use

Signature Features

Thermoelectric Cooling

Vibration free, ultra-quiet cooling system

LED Electronic Control Display

Conveniently set the optimal temperature for red or white wines

Soft Interior Light

Lighting makes it easy to organize and view wine collection

Limited Warranty

- 1 Year Warranty (Parts and Labor)

Available Finishes

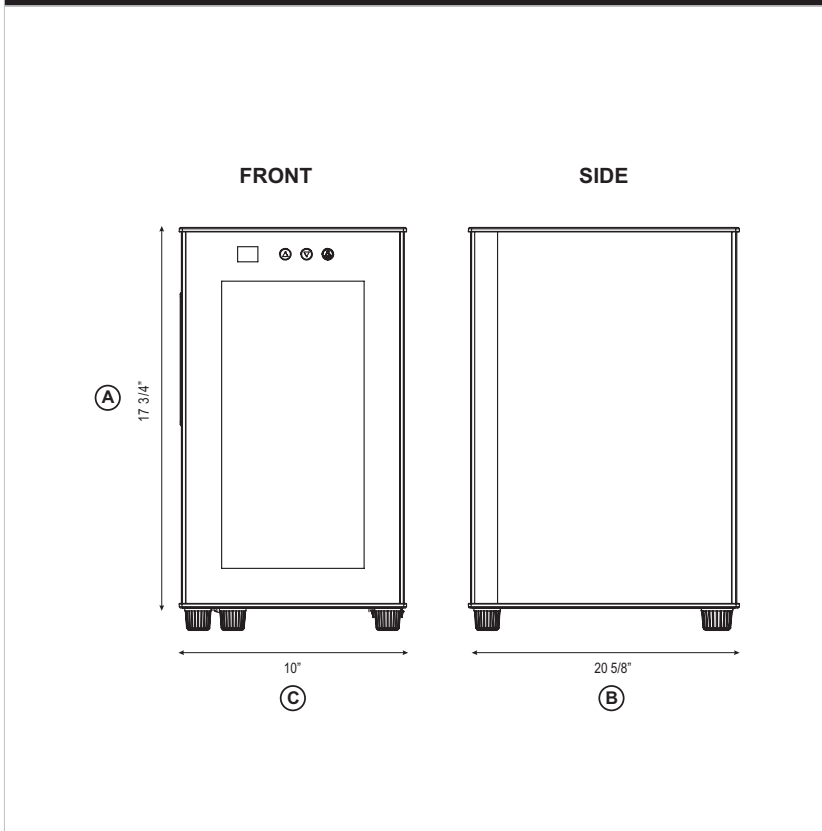


Black

Letter	Overall Dimensions	in.
A	Height	17 3/4"
B	Depth	20 5/8"
C	Width	10"
Clearance Requirements		
Sides		2"
Back		2"
Top		4"
Power Requirements		
Electrical Rating	115V, 60Hz	

Overall Packaging Details		
Packaging	lb./in.	
Gross Weight	24.9 lbs.	
Dimensions	W	12"
	D	22 1/8"
	H	20 1/8"

Product Technical Illustration



General Appliance Information

Please read all installation details and instructions before use.

Contact Us

For questions regarding this product please refer to our website at haieramerica.com or call our customer service center at 877-337-3639.

