

JD630ST/DT

GE® 30" Drop-In Electric Range

DIMENSIONS AND INSTALLATION INFORMATION (IN INCHES)

JUNCTION BOX LOCATION: Electric drop-ins are not approved for installation with a plug and receptacle. This range is supplied with a flexible conduit and must be hard wired to a junction box. See shaded area in drawing for location of junction box. Refer to installation instructions for more information.

IMPORTANT: 30" DROP-IN RANGES ARE DESIGNED TO HANG FROM THE COUNTERTOP. IT DOES NOT REST ON THE FLOOR. FOR INSTALLATION ALTERNATIVES, REFER TO INSTALLATION INSTRUCTIONS.

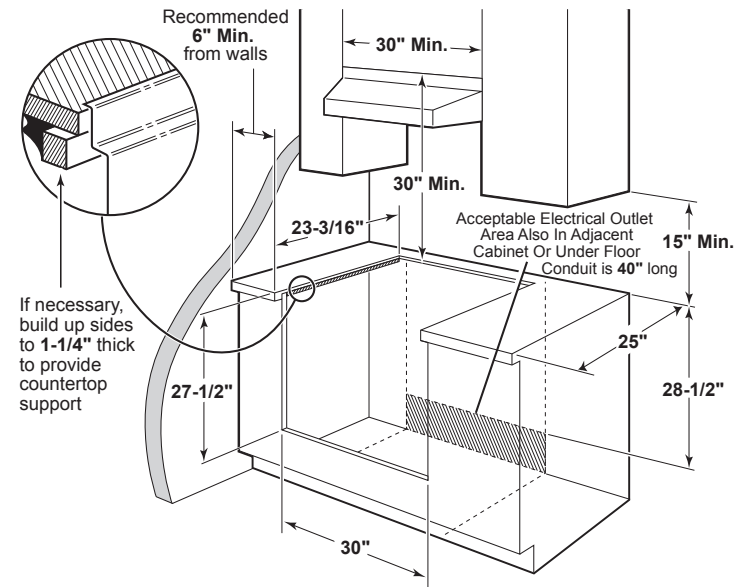
NOTE: This appliance has been approved for 0" spacing to adjacent surfaces above the cooktop. However, a 6" minimum spacing to surfaces less than 15" above the cooktop and adjacent cabinet is recommended to reduce exposure to steam, grease splatter and heat.

INSTALLATION INFORMATION:

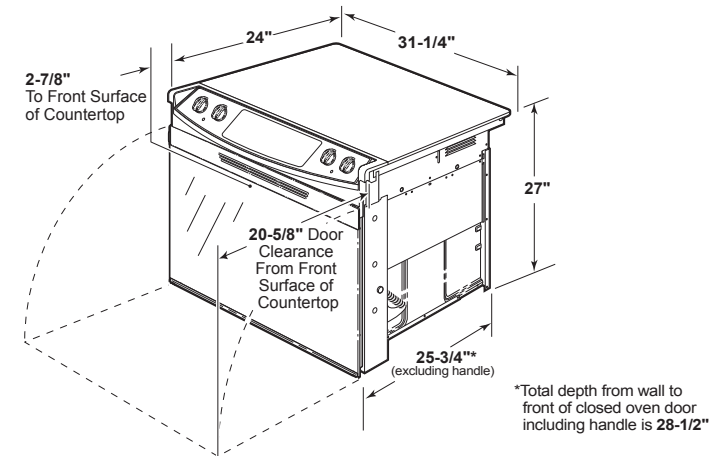
Before installing, consult installation instructions for current dimensional data and additional requirements.

NOTE: Check local codes for required breaker size.

KW RATING	
240V	11.9
208V	8.9
BREAKER SIZE	
240V	40 Amps [†]
208V	40 Amps [†]



Above illustration intended for dimensional reference only. Refer to photograph for actual product appearance.



Dimension and installation information are shown in inches.



For answers to your Monogram, GE Café™, GE Profile™ or GE Appliances product questions, visit our website at geappliances.com or call GE Answer Center® Service at 800.626.2000.



All GE Appliances ranges are equipped with an Anti-Tip device. The installation of this device is an important, required step in the installation of the range.



Specification Revised 5/22

JD630ST/DT

GE® 30" Drop-In Electric Range

FEATURES AND BENEFITS

6"/9" Power Boil element - Produces rapid, powerful heat

Self-clean oven - Cleans the oven cavity without the need for scrubbing

Ceramic glass cooktop - Smooth cooktop easily wipes clean

Black gloss oven interior - Enjoy a clean and sleek appearance

Dual element bake - Upper and lower elements produce even heat and great results

Electronic oven controls - Electronic touch pads are easy to operate

Sabbath Mode

Model JD630STSS - Stainless

Model JD630DTWW - White on white

Model JD630DTBB - Black on black

