

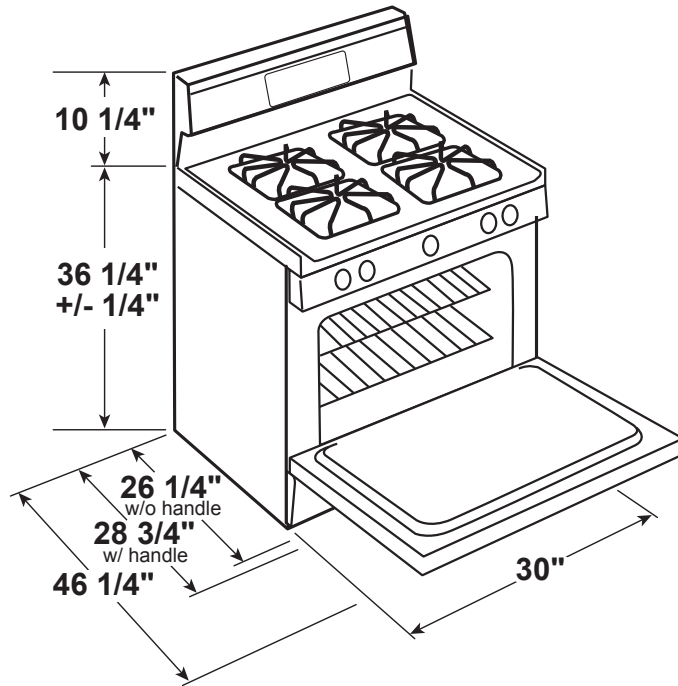
# JGBS60REK

## GE® 30" Free-Standing Gas Range

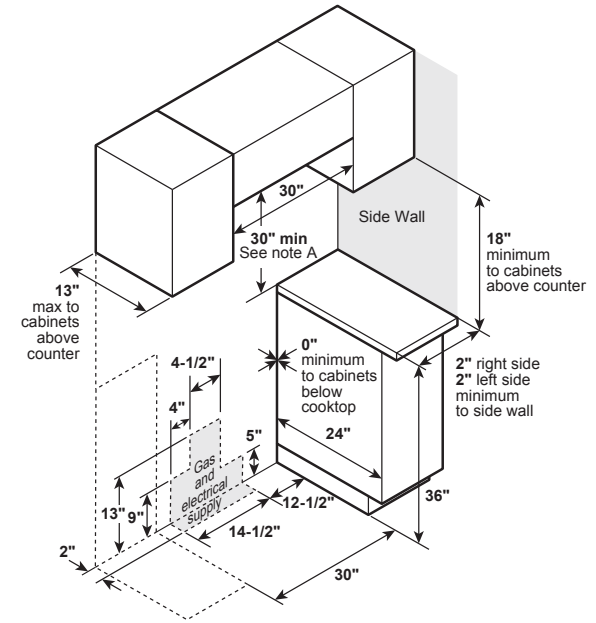
### DIMENSIONS AND INSTALLATION INFORMATION (IN INCHES)

**ELECTRICAL RATING:** 120V, 60Hz, 15A

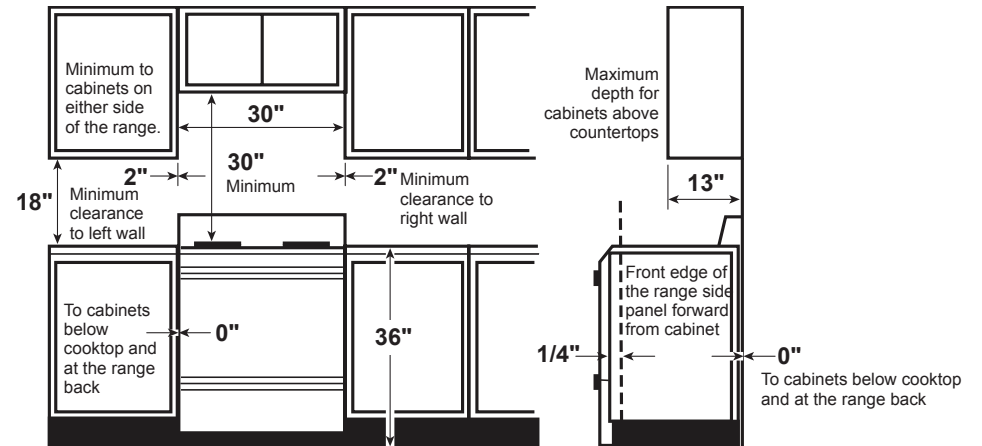
**INSTALLATION INFORMATION:** Before installing, consult installation instructions packed with product for current dimensional data.



### GAS PIPE AND ELECTRICAL OUTLET LOCATIONS



Note A: 30" Minimum to bare cabinet, see installation instructions heights less than 30"



For answers to your Monogram, GE Café™, GE Profile™ or GE Appliances product questions, visit our website at [geappliances.com](http://geappliances.com) or call GE Answer Center® Service, 800.626.2000.



All GE ranges are equipped with an Anti-Tip device. The installation of this device is an important, required step in the installation of the range.

Specification Revised 10/22

# JGBS60REK

## GE® 30" Free-Standing Gas Range

### FEATURES AND BENEFITS

13,000 BTU burner - Delivers a wide range of heat output ideal for most cooking requirements

Precise Simmer burner - Delicate foods don't burn with low, even heat

Sealed cooktop burners - Contain spills and make cleaning quick and easy

Black matte steel grates - Enjoy a high-end look with a durable, matte coating

Standard clean oven - Smooth surface makes cleaning by hand easier

4.8 cu. ft. oven capacity - Enough room to cook an entire meal at once

Flexible broiling - Use any sized pan under the broiler for maximum broil flexibility

Sabbath Mode

Model JGBS60REKSS - Stainless steel

