

JGP5536DL/SL

GE® 36" Built-In Gas on Glass Cooktop with Dishwasher-Safe Grates

DIMENSIONS AND INSTALLATION INFORMATION

AGA REQUIREMENT: All gas cooktop models require 7/16" free area below cooktop height to combustible material. Requires 18" minimum from countertop to adjacent overhead cabinets.

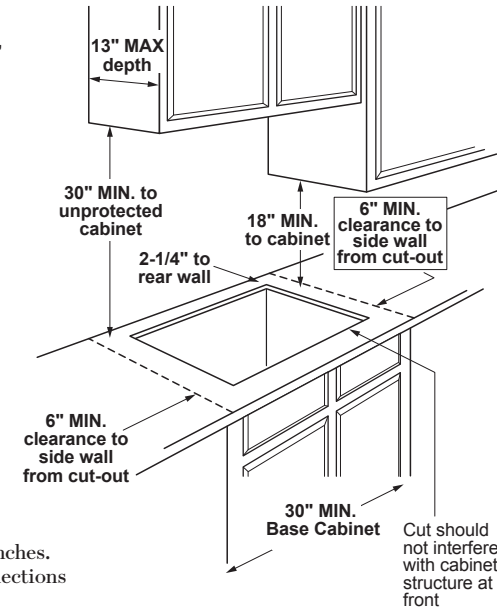
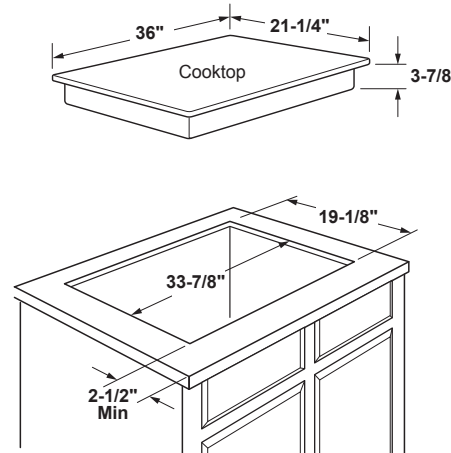
NOTE: If installing with a GE Profile™ Telescopic Downdraft System, consult both cooktop and downdraft installation instructions packed with product before installing. Cooktop gas/electric supply may need to be re-routed to install downdraft.

ELECTRICAL RATING: 120V, 60Hz, 5A

INSTALLATION WITH SINGLE WALL OVEN INFORMATION:

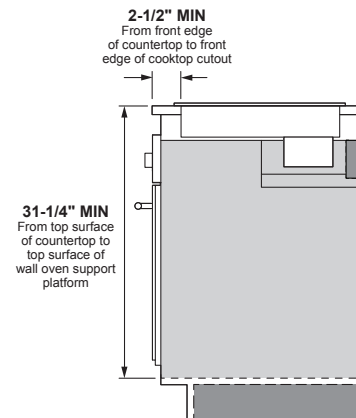
30" Gas Cooktops are approved for use over select GE 27" and 30" Wall Ovens and Warming Drawers. 30" and 36" Gas cooktops are approved for use over select 30" Wall Ovens and Warming Drawers. Refer to cooktop and wall oven/warming drawer installation instructions packed with product for current dimensional data.

INSTALLATION INFORMATION: Before installing, consult installation instructions, packed with product, for current dimensional data.



Dimension and installation information are shown in inches.
*Allow 5-3/4" depth at rear for electrical and gas connections

INSTALLATION ABOVE A WALL OVEN



For answers to your Monogram, GE Café™ Series, GE Profile™ Series or GE Appliances product questions, visit our website at geappliances.com or call GE Answer Center® Service, 800.626.2000.

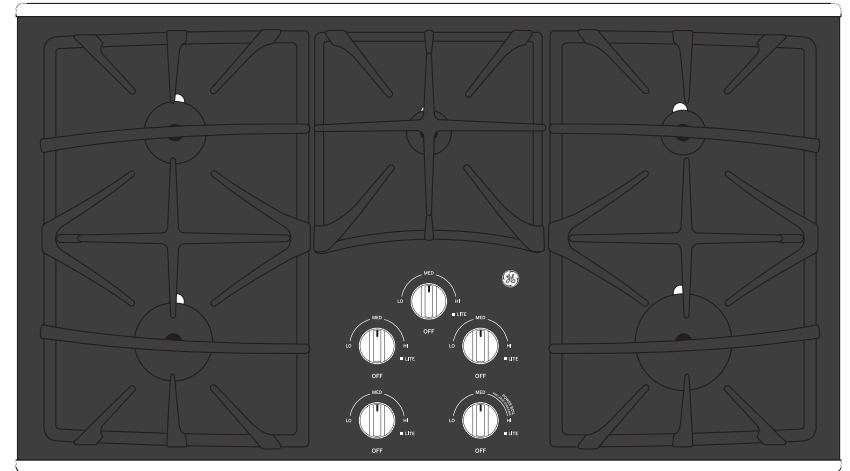


JGP5536DL/SL

GE® 36" Built-In Gas on Glass Cooktop with Dishwasher-Safe Grates

FEATURES AND BENEFITS

- 36" cooktop with 5 burners
- Gas on glass cooktop
- Spend less time cleaning up
- Maximize your cooking space
- Dishwasher-safe grates
- Start cooking faster with Power Boil
- Precision simmer burner
- Control lock capability
- Fit Guarantee
- Model JGP5536DLBB – Black
- Model JGP5536SLSS – Stainless steel



GUARANTEED FIT

Replacing a similar cooktop from GE Appliances or another brand? GE cooktops are guaranteed for an exact fit or GE Appliances will pay up to \$100 toward modifications

Visit geappliances.com for more info

