

JP5036SJ/BM

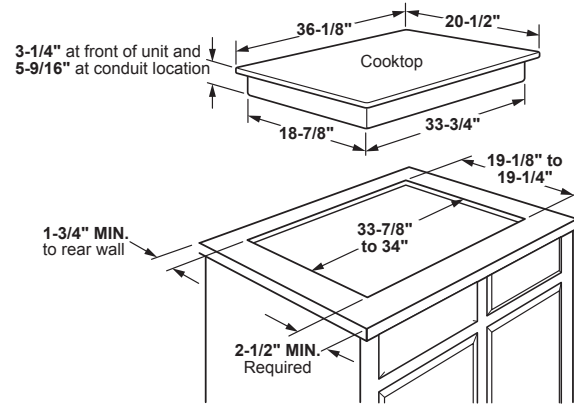
GE® 36" Built-In Touch Control Electric Cooktop

DIMENSIONS AND INSTALLATION INFORMATION (IN INCHES)

IMPORTANT: Requires a 5" free area between the bottom of the cooktop to any combustible material, i.e., shelving. Free area not required when installing wall oven underneath cooktop. Refer to installation instructions. Requires a 15" minimum from cooktop to adjacent overhead cabinets. Units are furnished with a 48" flexible armored cable.

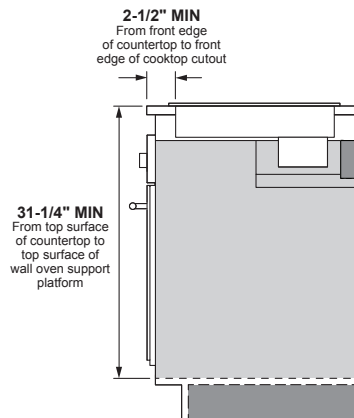
NOTE: 36" Ribbon cooktops are approved for use over select GE 30" Single Wall Ovens and Warming Drawers. Refer to cooktop and wall oven/warming drawer installation instructions packed with product for current dimensional data. If installed with a GE Telescopic Downdraft System, consult both the cooktop and downdraft installation instructions packed with product before installing. Cooktop gas/electric supply may need to be re-routed to install downdraft. The countertop cutout requires 23-1/2" minimum flat countertop surface and 25" minimum total countertop depth. In addition, other clearances to front edge of the countertop must be considered. **Before installing, consult installation instructions packed with product for current dimensional data.**

APPROXIMATE COOKING DIMENSIONS

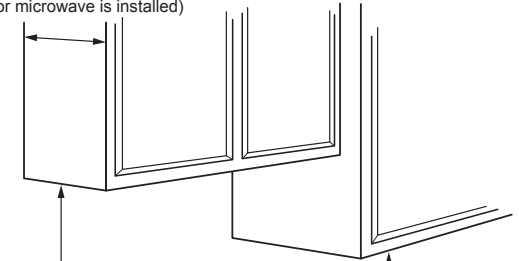


To insure accuracy, it is best to make a template when cutting the opening in the counter

INSTALLATION ABOVE A WALL OVEN



13" MAX. depth of unprotected overhead cabinets (when no hood or microwave is installed)



30" MIN. from countertop to unprotected cabinet (when no hood or microwave is installed)

15" MIN. height from countertop to nearest cabinet (including light rails) on both sides of cooktop

See label next to nameplate for MIN. clearance to wall

Electrical junction box 16" MIN. below countertop

2" MIN. clearance to side wall from cut-out on both sides of cooktop

VOLTAGE (60HZ AC)	240V	208V
CONNECTED LOAD (MAX.)	9.3kW	7.0kW
CURRENT DRAW (MAX.)	38.8 Amps	33.6 Amps
RECOMMENDED CIRCUIT BREAKER†	40 Amps	40 Amps

†NOTE: Check local codes for required breaker size.



For answers to your Monogram, GE Café™ Series, GE Profile™ Series or GE Appliances product questions, visit our website at geappliances.com or call GE Answer Center® Service, 800.626.2000.



JP5036SJ/BM

GE® 36" Built-In Touch Control Electric Cooktop

FEATURES AND BENEFITS

Five radiant cooking elements – Cook foods quickly and evenly on this sleek, glass surface

Digital touch controls – Accurately control your heating and enjoy an easy to clean surface

6"/9"/12" tri-ring element – Use different pan sizes on this single, 3,000-watt flexible element

5"/8" Power Boil element – Use different pan sizes on this single, 2,400-watt flexible element that produces rapid powerful heat

Kitchen timer – Helps coordinate meal preparation and cooking

Keep Warm setting – Keep food warm with GE's lowest heat setting or boil water in minutes with this fully functional 6" element

Melt setting – Gently melt delicate foods without burning or scorching

Control lock capability – Protects against unintended activation

Red LED display with black glass surface and stainless steel trim – Achieve a modern look that complements the entire kitchen and other stainless steel appliances

Hot surface indicator lights – Know when elements are too hot to touch with a quick glance

Model JP5036SJSS – Stainless Steel

Model JP5036BMTS – Black stainless

GUARANTEED FIT

Replacing a similar cooktop from GE Appliances or another brand? GE cooktops are guaranteed for an exact fit or GE Appliances will pay up to \$100 toward modifications

Visit geappliances.com for more info

