

# JT5500EJ/BL/FM

## GE® 30" Built-In Double Wall Oven with Convection

### DIMENSIONS AND INSTALLATION INFORMATION (IN INCHES)

**NOTE:** Cabinets installed adjacent to wall ovens must have an adhesion spec of at least a 194°F temperature rating.

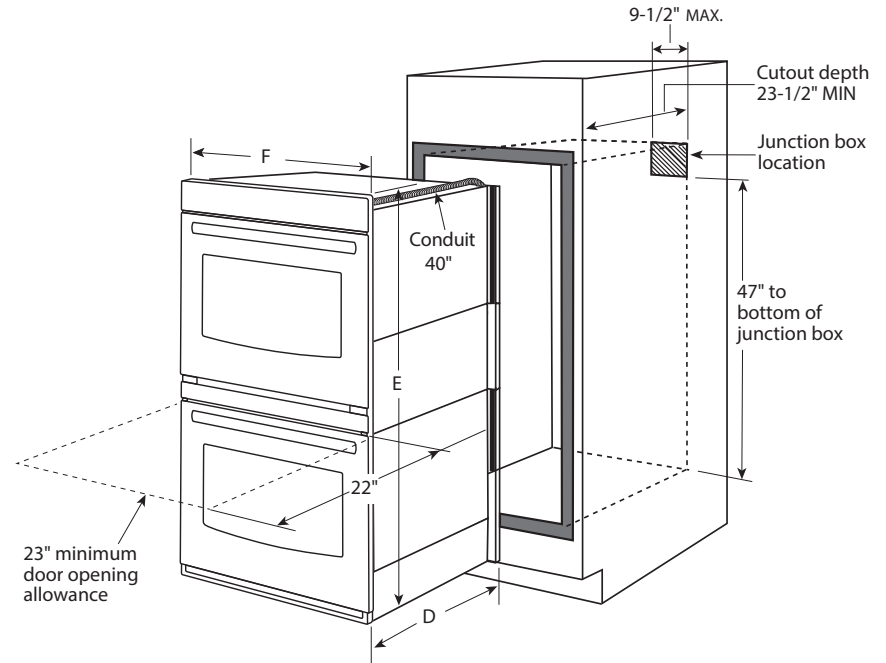
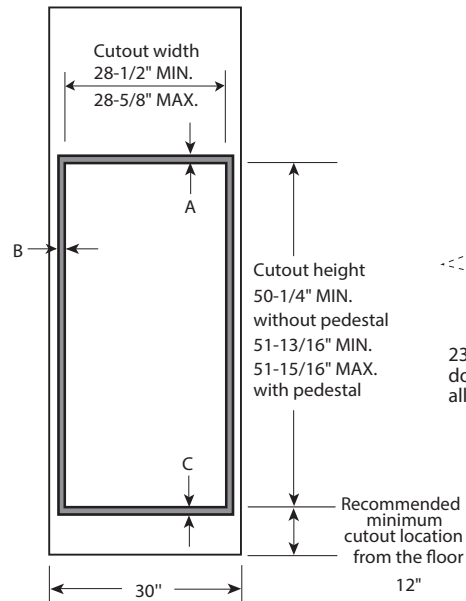
Door handle protrudes 3" from door face. Cabinets and drawers on adjacent 45° and 90° walls should be placed to avoid interference with the handle.

Electric wall ovens are not approved for installation with a plug and receptacle. They must be hard wired in accordance with installation instructions.

#### INSTALLATION INFORMATION:

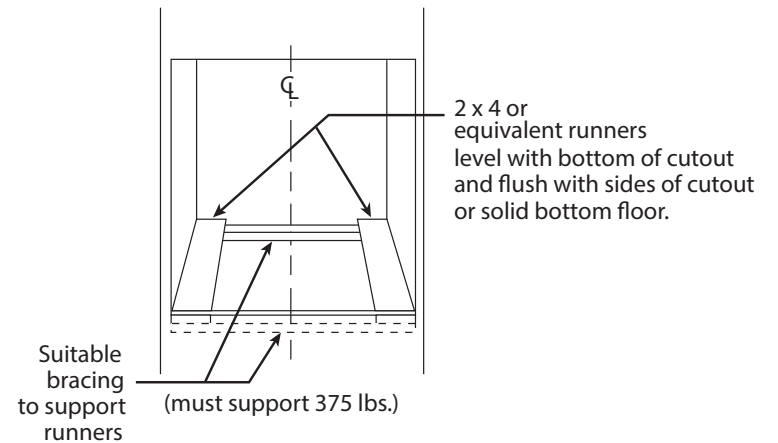
Before installing, consult installation instructions packed with product for current dimensional data.

KW RATING	
240V	8.4
208V	6.5
BREAKER SIZE	
240V	40 Amps
208V	40 Amps



#### JT5550

Cabinet	30"
A – Overlap of oven at top of cutout	1"
B – Overlap of oven over side of edges of cutout	3/4"
C – Overlap of oven at bottom of cutout	1-1/4"
Oven	
D – Install depth	23-1/2"
E – Overall height with trim	53"
F – Overall width	29-3/4"



For answers to your Monogram, GE Café™ Series, GE Profile™ Series or GE Appliances product questions, visit our website at [geappliances.com](http://geappliances.com) or call GE Answer Center® Service, 800.626.2000.



Listed by Underwriters Laboratories



# JT5500EJ/BL/FM

## GE® 30" Built-In Double Wall Oven with Convection

### FEATURES AND BENEFITS

True European Convection (upper oven) – Achieve delicious results from a third heating element and fan combination

Self-clean with steam clean option (both ovens) – Clean your oven the way you want

Self-clean heavy-duty oven racks – Conveniently clean your oven and racks together

Glass touch controls – Set temperatures quickly and clean with little effort

Halogen interior oven lighting – Easily see how your food is baking

Ten-pass bake element – Even baking is assured with heat that covers more surface area

Eight-pass broil element – Get full broil coverage and even browning from edge to edge

Double oven 10.0 cu. ft. total oven capacity (5.0 cu. ft. both ovens) – Large meals are easy with capacity that fits more at one time

Black gloss oven interior – Enjoy a clean and sleek appearance

Hidden bake – Make cleanup easy by eliminating hard-to-reach areas

Model JT5500EJES – Slate

Model JT5500BLTS - Black stainless

Model JT5500FMDS – Black Slate

### GUARANTEED FIT

Replacing a similar wall oven from GE or another brand? GE wall ovens are guaranteed for an exact fit to make replacement easy

Visit [geappliances.com](http://geappliances.com) for more info

