

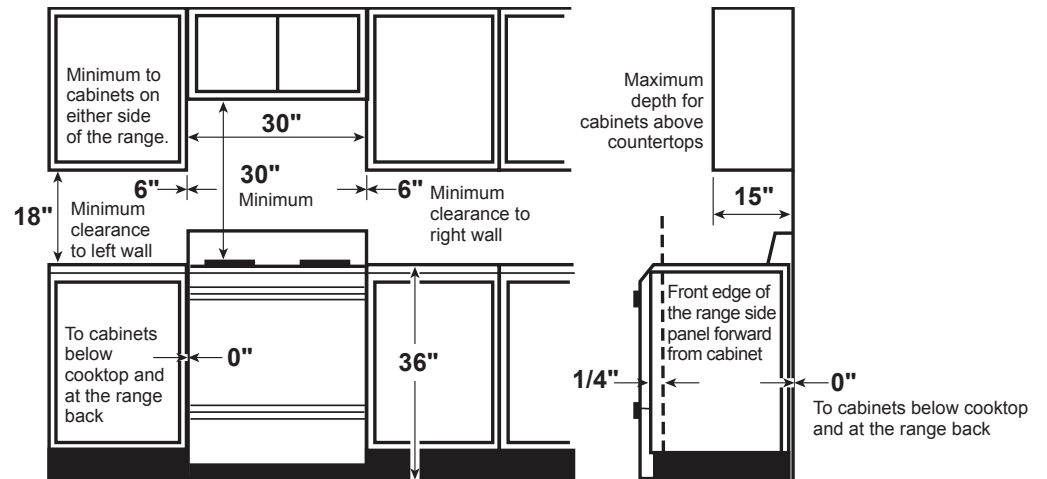
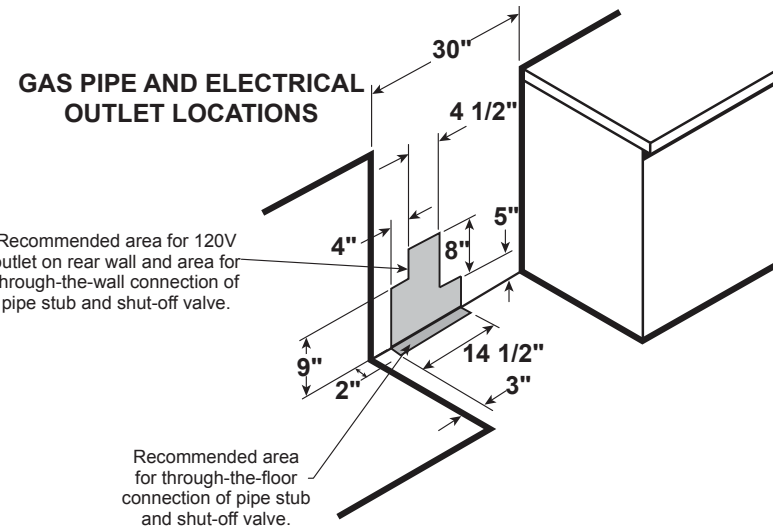
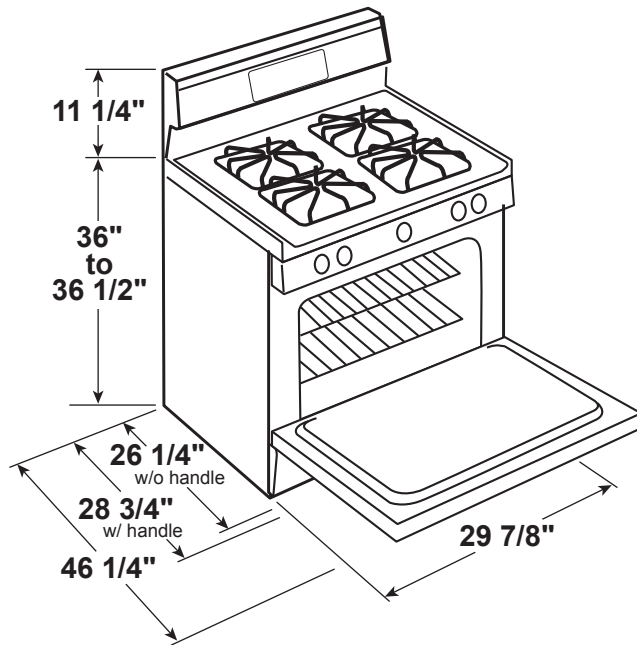
PGB940SEJ

GE Profile™ Series 30" Free-Standing Gas Convection Range with Warming Drawer

DIMENSIONS AND INSTALLATION INFORMATION (IN INCHES)

ELECTRICAL RATING: 120V, 60Hz, 15A

INSTALLATION INFORMATION: Before installing, consult installation instructions packed with product for current dimensional data.



For answers to your Monogram,® GE Profile™ or GE® appliance questions, visit our website at geappliances.com or call GE Answer Center® service, 800.626.2000.



All GE ranges are equipped with an Anti-Tip device. The installation of this device is an important, required step in the installation of the range.



PGB940SEJ

GE Profile™ Series 30" Free-Standing Gas Convection Range with Warming Drawer

FEATURES AND BENEFITS

Dual purpose center burner - Accommodate everything from grills and griddles to oversized pots with the industry's first combination oval/round burner

Edge-to-edge cooktop - A large, continuous cooking surface gives you extra room for pots and pans of all sizes and lets cookware move easily from burner to burner

20,000 BTU tri-ring burner - Offers the flexibility of three different burners

Extra-large, integrated reversible cast iron grill/griddle - Enjoy ultimate cooking versatility. Cook up to six grilled cheeses on the industry's largest integrated griddle, and then flip it over to grill your favorite foods.

WiFi Connect - Wirelessly control oven functions from your smartphone

Chef Connect - Three options with a single touch. For instant convenience, choose when to automatically sync clocks and the range burners with the microwave's surface light and vent.

Gas convection oven - Circulates heat for high-quality results

Heavy-duty, self-clean roller rack - Provide easy access to oven interior

Self-clean with Steam Clean option - Clean your oven the way you want

Heavy-duty, self-clean grates - Easily clean grates by placing them in the oven during the self-clean cycle

Model PGB940SEJSS - Stainless steel

