

# PHB920EJ/BJ/FJ

## GE Profile™ Series 30" Free-Standing Convection Range with Induction

### DIMENSIONS AND INSTALLATION INFORMATION (IN INCHES)

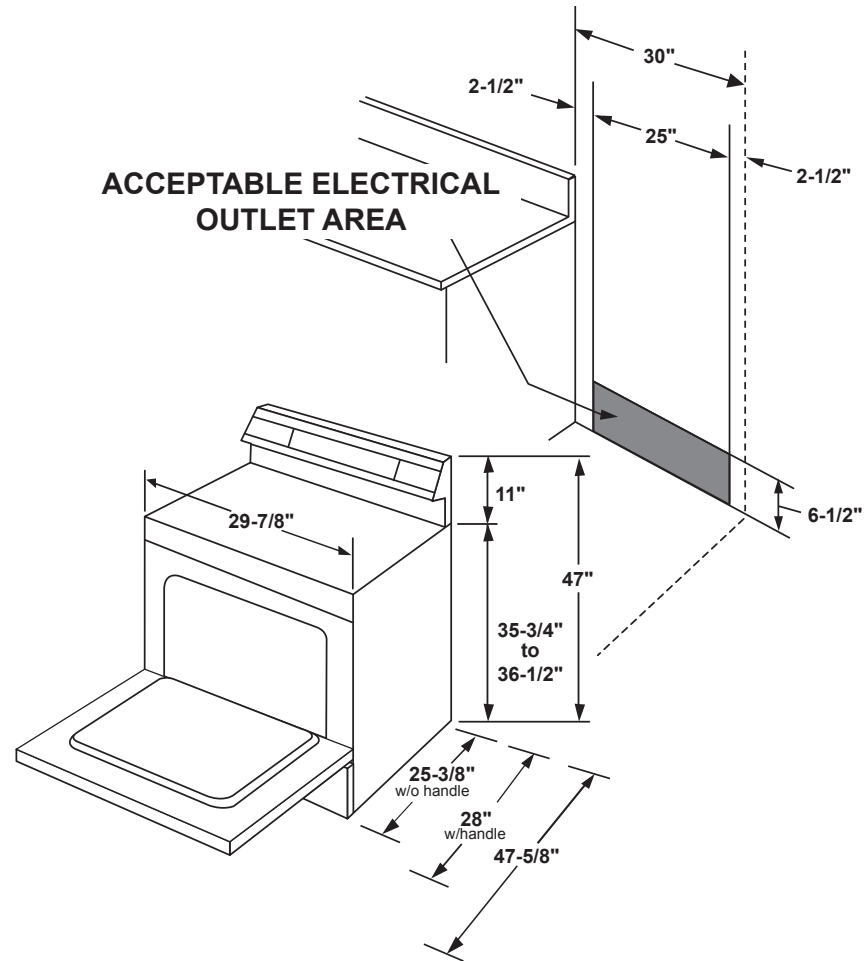
**RECEPTACLE LOCATIONS:** Locally approved flexible service cord or conduit must be used because terminals are not accessible after range installation. See shaded area in drawing for location of electrical outlet box. Recommended outlet locations allow range to be installed directly against wall.

**NOTE:** This appliance has been approved for 0" spacing to adjacent surfaces above the cooktop. However, a 6" minimum spacing to surfaces less than 15" above the cooktop and adjacent cabinet is recommended to reduce exposure to steam, grease splatter and heat.

**INSTALLATION INFORMATION:** Before installing, consult installation instructions for current dimensional data and additional requirements.

KW RATING	
240V	12.4
208V	10.3
BREAKER SIZE	
240V	40 Amps†
208V	40 Amps†

†NOTE: Check local codes for required breaker size.



For answers to your Monogram, GE Café™ Series, GE Profile™ Series or GE Appliances product questions, visit our website at [geappliances.com](http://geappliances.com) or call GE Answer Center® Service, 800.626.2000.



All GE Appliances ranges are equipped with an Anti-Tip device. The installation of this device is an important, required step in the installation of the range.



Listed by Underwriters Laboratories

Specification Revised 6/18

# PHB920EJ/BJ/FJ

## *GE Profile™ Series 30" Free-Standing Convection Range with Induction*

### **FEATURES AND BENEFITS**

Edge-to-edge cooktop – A large, seamless surface makes it easy to wipe away messes

WiFi Connect – Wirelessly control oven functions from your smartphone

Induction technology – Innovative, fast, efficient cooking

True European Convection with Precise Air – Enjoy perfectly even results without turning the pan

Chef Connect – Three options with a single touch. For instant convenience, choose when to automatically sync clocks and the range elements with the microwave's surface light and vent.

Synchronized elements – Control two elements with the touch of a single button and create a larger cooking surface for big cookware like griddles

Electronic touch controls – Confidently operate the oven with one easy touch

Self-clean, heavy-duty oven racks – Conveniently clean your oven and racks

Fifth element warming zone – Provides low-heat capability for foods

Self-clean with Steam Clean option – Clean your oven the way you want

Fast preheat – Make hot meals in a hurry with less time preheating

Hidden bake oven interior – Make cleanup easy by eliminating hard-to-reach areas

Model PHB920EJES – Slate

Model PHB920BJTS – Black stainless

Model PHB920FJDS – Black slate

