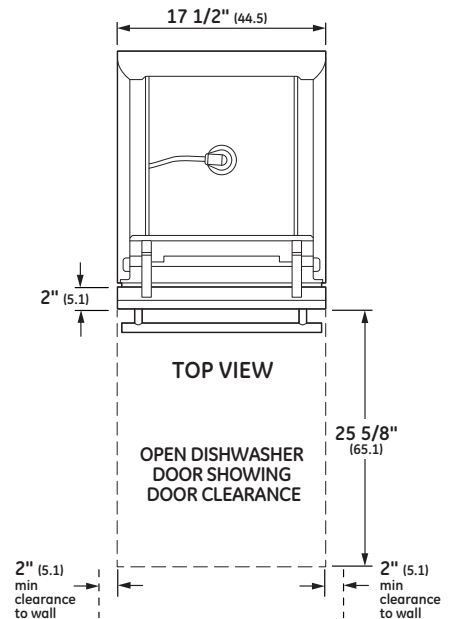
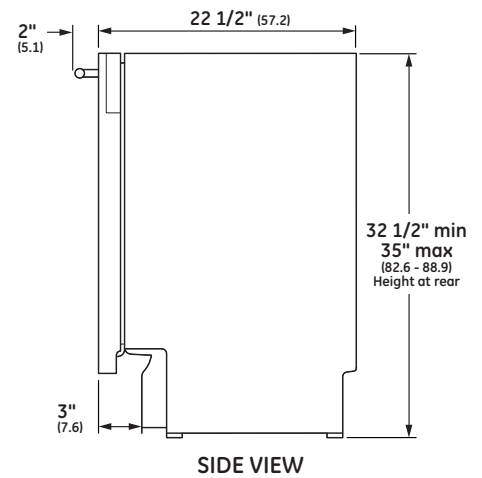
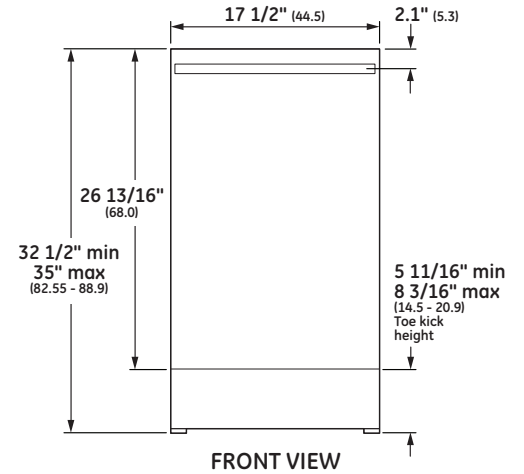




OVERALL DIMENSIONS



SPECIFICATIONS

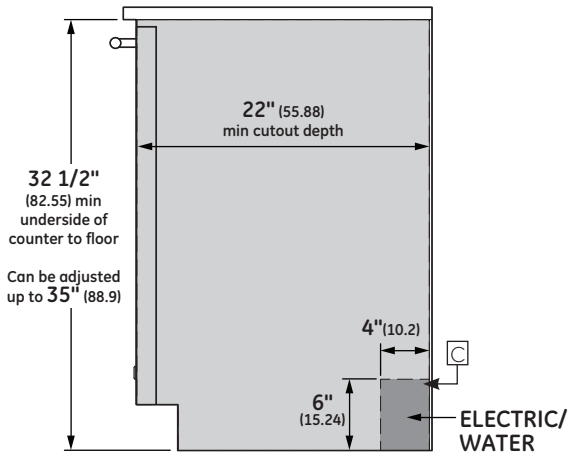
Overall Width	17 1/2" (44.5 cm)
Overall Height	32 1/2" (82.6 cm) Min 35" (88.9 cm) Max
Overall Depth	22 1/2" (57.2 cm)
Door Clearance	25 5/8" (14.3 cm)
Overall Dishwasher Capacity	8 Place Settings
Minimum Cabinet Width	17 5/8" (44.8 cm)
Minimum Cabinet Depth	22" (55.9 cm)
Cutout Width	17 5/8" (44.8 cm) Min 18" (45.7 cm) Max
Cutout Height	32 1/2" (82.6 cm) Min 35" (88.9 cm) Max
Electrical Requirements	9.0 A
Hose Length	No more than 10' (3 m)
Voltz/Hertz/Amps	115 V, 60 Hz, 15 or 20 amp circuit
Shipping Weight	83 lb (38 kg)

Dimensions in parentheses are in centimeters unless otherwise noted.

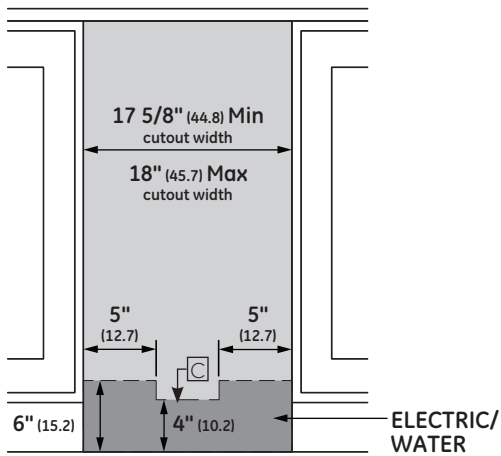
ELEVATE EVERYTHING™



INSTALLATION



FLUSH CUTOUT INSTALLATION



INSTALLATION CUTOUT FRONT VIEW

NOTES

- A The dishwasher drain hose must be no more than 10 feet in length for proper drainage.
- B A reduced-height installation (32-1/2" min.) beneath a 34" countertop can be accomplished by screwing in the rear legs flush with the bottom support, removing the front leveling legs and adding shims to level.
- C Water and electrical must be routed through the back wall shown in shaded area.
- D To prevent siphoning, an air gap or high drain loop must be used.

ELEVATE EVERYTHING™

MONOGRAM

## FEATURES AND BENEFITS

### INTEGRATED DESIGN

Offers a stainless steel door and slim tubular handle

### FIVE-LEVEL WASH SYSTEM

Provides effective, yet quiet cleaning power

### PEARLESCENT GRAY RACKS WITH BALL-TIPPED TINES

Provide plenty of space and loading flexibility

### STEM SAFE SHELF

Allows for odd-shaped items and delicate stemware

### HIDDEN, INTEGRATED ELECTRONIC CONTROLS

Allow easy activation of wash cycles: heavy wash, normal wash, light wash, china and rinse only



ELEVATE EVERYTHING

**MONOGRAM**