



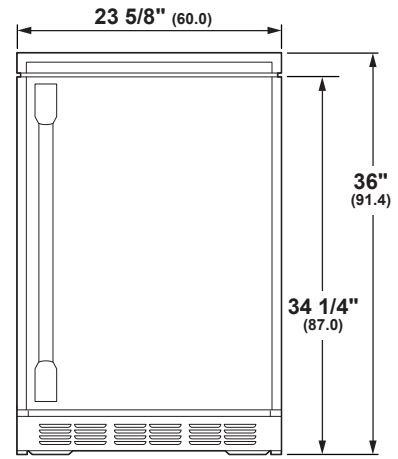
SPECIFICATIONS

| | |
|-------------------------|---|
| Overall Width | 23 5/8" (60 cm) |
| Overall Height | 36 1/4" (92.1 cm) |
| Overall Depth | 23 1/2" (59.7 cm) |
| Door Clearance | 9 15/16" (25.2 cm) @ 110° 3 3/16" (8.1 cm) @ 90° 21 13/16" (55.4) door length |
| Overall Capacity | 5.4 cu. ft. |
| Minimum Cabinet Width | 23 3/4" (60.3 cm) |
| Minimum Cabinet Depth | 24" (61.0 cm) |
| Cutout Width | 23 3/4" (60.3 cm) |
| Cutout Height | 34 1/2" (87.6 cm) Min 36 1/2" (92.7 cm) Max |
| Electrical Requirements | 1.0 A |
| Voltz/Hertz/Amps | 120 V, 60 Hz, 15 or 20 amp circuit |
| Shipping Weight | 154 lb (70 kg) |

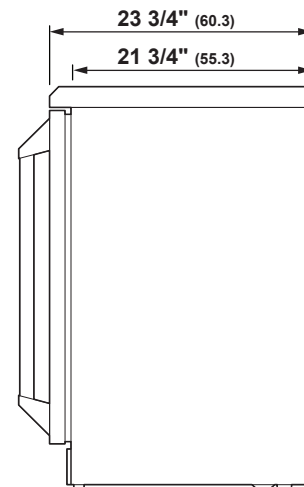
ATTENTION ELECTRICIAN:

A 115 volt 60Hz., 15 or 20 amp power supply is required. An individual properly grounded branch circuit or circuit breaker is recommended. Install a properly grounded 3-prong electrical receptacle recessed into the back wall.

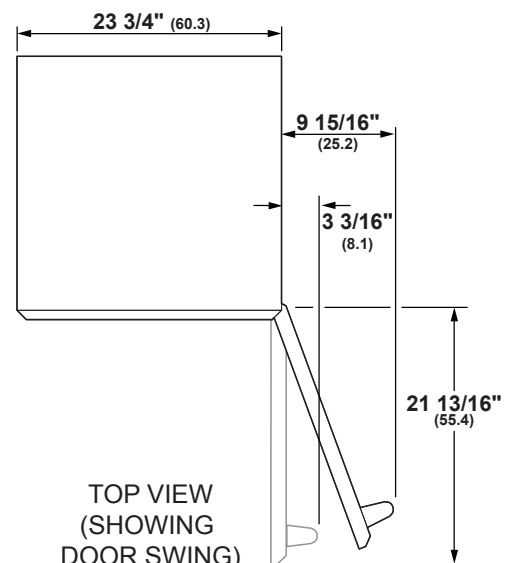
OVERALL DIMENSIONS



FRONT VIEW



SIDE VIEW



TOP VIEW (SHOWING DOOR SWING)

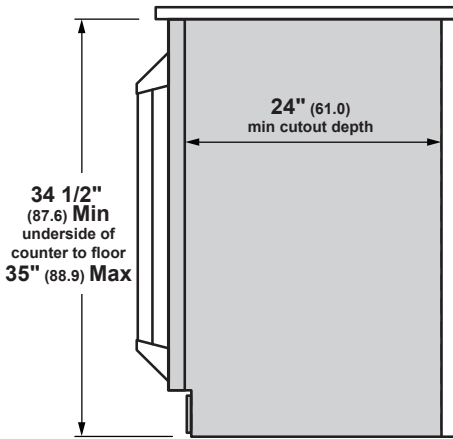
Dimensions in parentheses are in centimeters unless otherwise noted.

Actual product dimension may vary due to manufacturing tolerances.

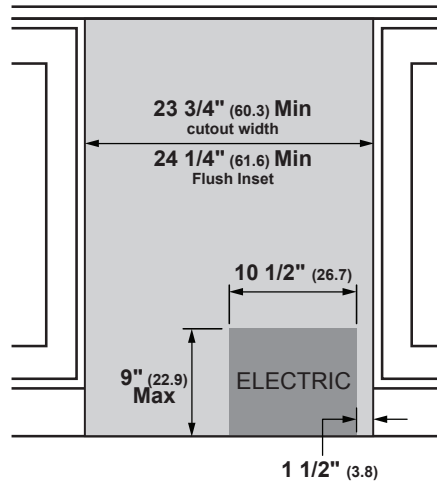
ELEVATE EVERYTHING™

MONOGRAM

INSTALLATION

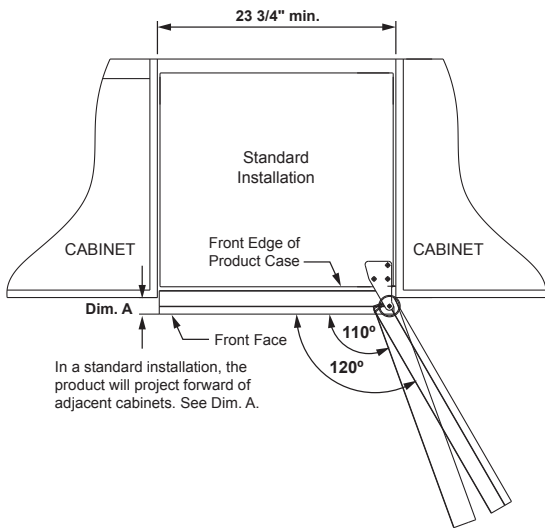


CUTOUT INSTALLATION SIDE VIEW

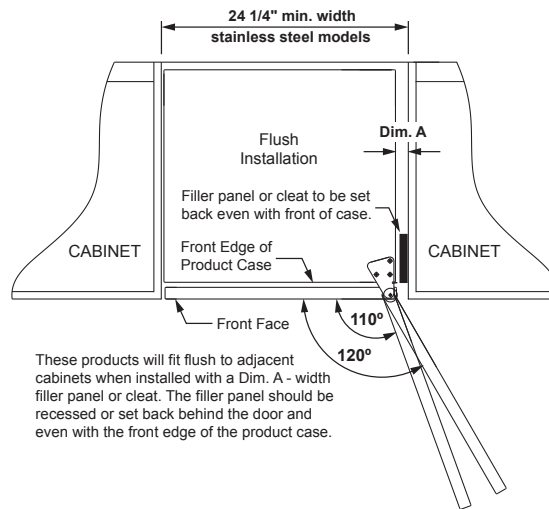


INSTALLATION CUTOUT FRONT VIEW

REFRIGERATION MODULES, TOP VIEW



| PRODUCT | DIM. A |
|------------------|--------|
| ZDWI240, ZDB1240 | 2" |
| ZDWR240, ZDBR240 | 1-3/4" |
| ZIFS240, ZIF1240 | 1-5/8" |
| ZDOD240 | 1-7/8" |
| ZIB1240, ZIBS240 | 2-5/8" |



| PRODUCT | DIM. A |
|------------------|--------|
| ZDWI240, ZDB1240 | 1" |
| ZDWR240, ZDBR240 | 1" |
| ZIB1240, ZIF1240 | 1" |
| ZIFS240, ZIBS240 | 1/4" |
| ZDOD240 | 1-1/4" |

NOTES

Installation Space
 This product can be installed as a built-in or used free-standing. The top canopy can be removed for installation below a countertop.
 Do not operate these products in temperatures below 45°F or above 120°F.
 If the refrigerator is used outdoors, plug the power cord into a GFCI receptacle.
 For a standard installation of Stainless Steel unit: The product must be installed so that the front face will project 1 7/8" forward of adjacent cabinets.

For a flush installation of Stainless Steel unit: Install a 1 1/4" wide filler strip on the hinge side. The width of the opening must be 24 1/4" min. wide. See installation instructions for details.

Location Requirements
 All Monogram Refrigeration Modules may be closed in on the top and sides as long as the front is unobstructed for air circulation and door swing.

FEATURES AND BENEFITS

STAINLESS STEEL OUTDOOR DESIGN

Completely encased in stainless steel, front, top, sides and back. The stainless steel case withstands a variety of weather conditions, including temperatures from 45°F to 120°F

STAINLESS STEEL REMOVABLE CANOPY

Canopy protects the top of the refrigerator in outdoor environments and can be removed to allow built-in installation

DIGITAL TOUCH CONTROLS

Offer a range of temperatures for precise chilling of a variety of fresh foods and beverages, and a LED display allows easy viewing of temperatures

SPACIOUS INTERIOR WITH REMOVABLE SPILL PROOF GLASS SHELVES, QUICKSPACE SHELF AND CLEAR LEXAN CRISPER

Provides a spacious 5.4 cu. ft. capacity that can hold a platter as large as 18" x 18"

SOFT INTERIOR LED LIGHTING

Automatically illuminates when the door is open, but can be activated by an internal on/off switch



ZDOD240HSS - right-hinged door



ELEVATE EVERYTHING™

MONOGRAM