

MONOGRAM 18" DISHWASHER

ZDT165SILII



CUSTOM PANEL MODEL

Designed for personalization with customer-supplied cabinet-compatible panel and custom handle

HIDDEN, INTEGRATED ELECTRONIC CONTROLS

Allow easy activation of wash cycles: heavy wash, light wash and Auto Sense

THREE-LEVEL WASH SYSTEM

Provides effective, yet quiet cleaning power

NYLON GRAY RACKS WITH BALL-TIPPED TINES

Provide plenty of space and loading flexibility

PIRANHA™ HARD FOOD DISPOSER

Grinds food into small particles that are washed away

46 DBA

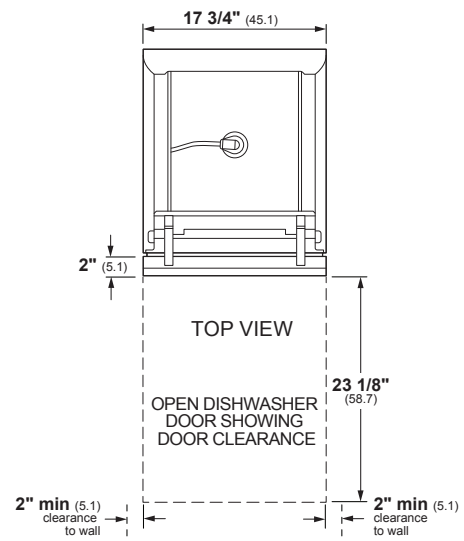
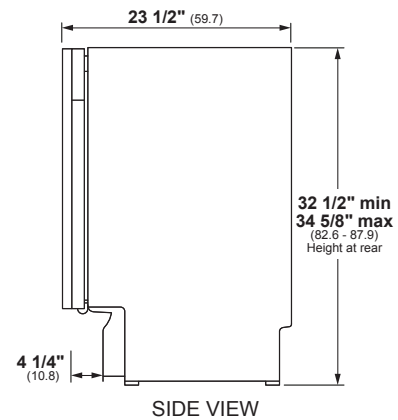
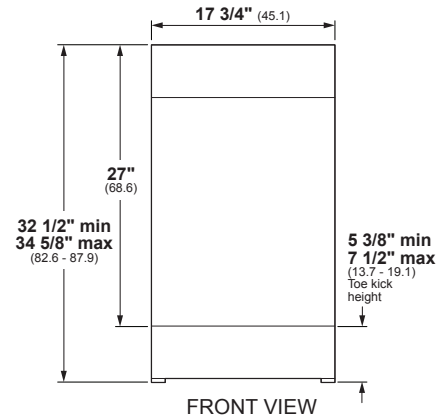
Ultra-quiet operation creates a peaceful kitchen environment even as it delivers powerful wash performance



SPECIFICATIONS

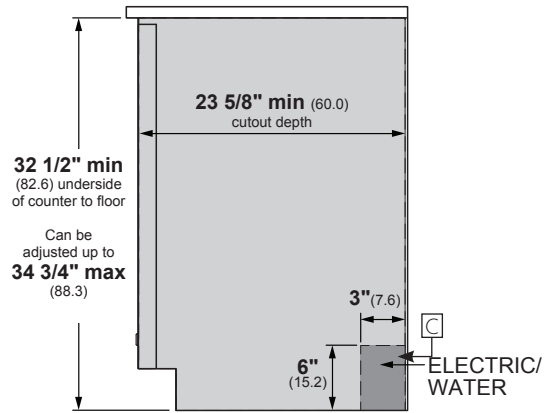
Overall Width	17 3/4" (45.1 cm) (Includes tub trim)
Overall Height	32 1/2" (82.6 cm) Min 34 5/8" (87.9 cm) Max
Overall Depth	23 1/2" (59.7 cm) (Includes 3/4" panel)
Door Clearance	23 1/8" (58.7 cm)
Overall Dishwasher Capacity	8 Place Settings
Minimum Cabinet Width	17 3/4" (45.1 cm)
Minimum Cabinet Depth	23 5/8" (60.0 cm)
Cutout Width	17 3/4" (45.1 cm) Min 18" (45.7 cm) Max
Cutout Height	32 1/2" (82.6 cm) Min 34 3/4" (88.3 cm) Max
Electrical Requirements	8.9 A
Hose Length	No more than 12' (3.7 m)
Voltz/Hertz/Amps	120 V, 60 Hz, 15 or 20 amp circuit
Shipping Weight	77 lb (35 kg)

OVERALL DIMENSIONS

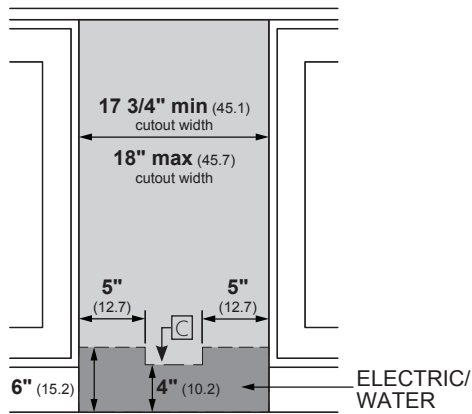


Dimensions in parentheses are in centimeters unless otherwise noted. Actual product dimensions may vary due to manufacturing tolerances.

INSTALLATION

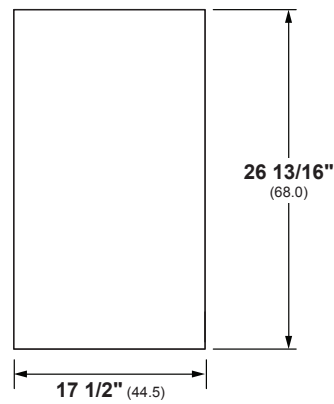


FLUSH CUTOUT INSTALLATION



INSTALLATION CUTOUT FRONT VIEW

CUSTOM PANEL



E

HELPFUL TIPS

- A** The dishwasher drain hose must be no more than 12 feet in length for proper drainage.
- B** A reduced-height installation (32-1/2" min.) beneath a 34" countertop can be accomplished.
- C** Water and electrical must be routed through the back wall shown in shaded area.
- D** To prevent siphoning, an air gap or high drain loop must be used.
- E** A custom panel installation template (Pub. No. 31-30896) is available from GE Parts and Accessories (US 800.626.2002, Canada 800.561.3344).

CUSTOM DISHWASHER DOOR PANEL TEMPLATE
GE PUB. NO. 31-30896

Top of Panel

2-5/32" (5.5 cm)

7-11/16" (19.5 cm)

Drill 3/32" Pilot Hole 3/32" Deep

3/4" Thick Custom Panel
Template Instructions for 18" Top Control Integrated Monogram Dishwasher Models

The custom panel should be sized to your installation situation. See Step 1. For easier installation, the custom panel and custom handle should be attached before installing the dishwasher. Use this template to locate mounting screws and spacers on the custom panel.

IMPORTANT
A custom handle must be installed onto the custom panel, install the custom handle 4-1/2" max. from the top of the panel.

PARTS INCLUDED:
(2) Brackets
(2) Spacer pads
(2) Metal spacers
(2) 1" Phillips flat-head screws
(2) 1-1/2" Phillips flat-head screws

STEP 1 CUSTOM PANEL SIZE REQUIREMENTS

HEIGHT
Panel height should be 26-3/16" (66.5 cm).
The custom panel must be flush with the top of the door. The 1/2" minimum gap between the top of the door and the bottom of the countertop must be maintained.

WIDTH
Panel width must be 17-1/2" (44.4 cm).
If the panel width is less than 17-1/2", it will not cover the dishwasher frame.
IMPORTANT: To ensure optimum door balance performance, the custom panel must not weigh more than 8 lbs.

STEP 2 DRAW CENTERLINE

Place the custom panel on a flat surface with the appearance side down.
Locate the center of the panel at the top.
Use a carpenter's square to draw a centerline from top to bottom.

STEP 3 ALIGN TEMPLATE TO PANEL

Place the template on the dotted line along all sides.
Place the template on the panel aligned with the top edge and the centerline. Use tape to hold in place.
IMPORTANT: If the template is not aligned with the top edge of the panel, the 1/2" minimum gap will not be maintained. This 1/2" minimum gap must be maintained to prevent condensation and damage to the control panel from screw heads.
Use a pencil to mark the screw hole locations indicated on the template. Remove the template.

Trim Around Dotted Line

Top of Panel

2-5/32" (5.5 cm)

7-11/16" (19.5 cm)

Drill 3/32" Pilot Hole 3/32" Deep

STEP 4 INSTALL MOUNTING SCREWS AND SPACERS

Note: The custom panel is secured to the dishwasher door with the metal spacers, screws and brackets provided. The metal spacers and brackets will slip into the slots on the dishwasher door and control panel.

- Align metal spacers over the top pilot holes. Ensure the thick, recessed side is facing up.
- Drive supplied 1" Phillips flat-head screws through the metal spacers and into the panel.
- Align brackets over the bottom pilot holes. Ensure the curved lip is facing up. If the surface of the panel is not flat, use the spacer pads provided.
- Drive 1-1/2" Phillips flat-head screws through the brackets and into the panel.

STEP 5 INSTALL CUSTOM HANDLE

A custom handle must be installed onto the panel before the panel is secured to the dishwasher door.

- Handle should be installed so that it aligns with adjacent drawer handles, or 4-1/2" max. from the top of the panel. Secure the handle in the same manner as the cabinet handles. Screws must be countersunk into the panel.

STEP 6 INSTALL ASSEMBLED PANEL

- Set the panel to the door by inserting the top metal spacers and bottom brackets into the matching slots on the dishwasher door and control panel.
- Make sure both metal spacers and both brackets engage the slots.
- Press the panel against the door and push downward until the metal spacers and brackets are fully engaged into the slots. The panel should align evenly with the top and sides.
- Stand the dishwasher upright.
- Open the dishwasher door and remove the first side screw from the top on each side of the inner door.
- Reinsert the screws with the 1-1/2" Phillips flat-head screws and drive them through the inner door and into the custom panel.

IMPORTANT: Do not over-tighten screws. Excessive tightening of the screws could damage door edges.

STEP 7 CHECK DOOR BALANCE

To check the door balance, hold the top of the dishwasher firmly.

- Check door balance by opening and closing the door.
- If the door drops when released, increase the spring tension. If the door rises when released, decrease the spring tension.
- Use a torque driver or socket wrench (as appropriate), adjust in the direction shown. Adjust both sides equally.

Trim Around Dotted Line

13/32" (1 cm)

5-29/32" (15 cm)

5-29/32" (15 cm)

13/32" (1 cm)


Drill 3/32" Pilot Hole 3/32" Deep

6-1/2" (16.5 cm)

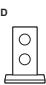
6-1/2" (16.5 cm)

Trim Around Dotted Line


PARTS SUPPLIED




(2) Metal spacers




(2) Brackets



(2) Spacer Pads (Optional)



(2) 1" Phillips flat-head screws



(2) 1-1/2" Phillips flat-head screws

012650 700
31-30896

HELPFUL TIPS

The custom door panel and custom handle of your choice should be secured to the dishwasher before installation begins. A template with instructions and installation hardware is provided.

For planning purposes, you may order the template in advance by calling 1.800.GE.CARES (1.800.423.2737) or by visiting our website at GEAppliances.com in the United States.

In Canada, call 1.800.561.3344 or visit www.GEAppliances.ca. Order Pub. No. 31-30896. Complete panel installation instructions are included on the template.

Maximum panel weight is 8 LBS (3.6 kg).