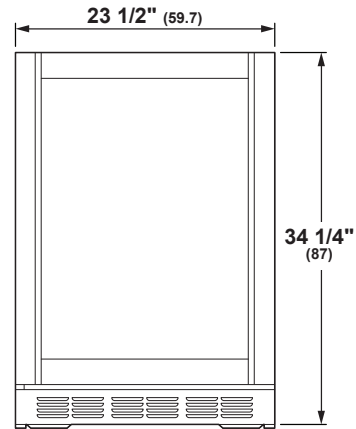
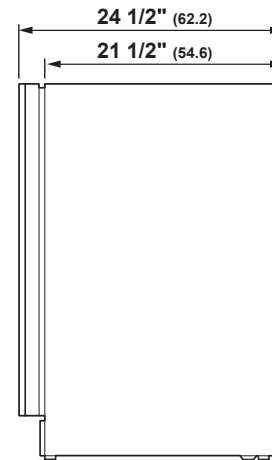




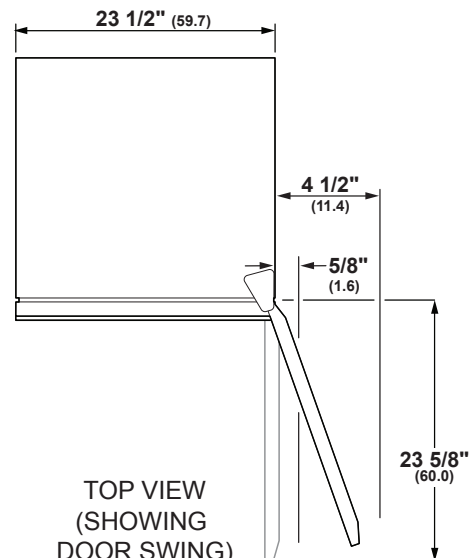
OVERALL DIMENSIONS



FRONT VIEW



SIDE VIEW



TOP VIEW
(SHOWING
DOOR SWING)

Dimensions in parentheses are in centimeters unless otherwise noted.

Actual product dimension may vary due to manufacturing tolerances.

SPECIFICATIONS

Overall Width	23 1/2" (59.7 cm)
Overall Height	34 1/4" (87 cm)
Overall Depth	23 9/16" (59.8 cm)
Door Clearance	9 3/8" (23.8 cm) @ 110° 5/8" (1.6 cm) @ 90° 23 5/8" (60.0) door length
Overall Capacity	5.5 cu. ft.
Minimum Cabinet Width	23 3/4" (60.3 cm)
Minimum Cabinet Depth	24" (61.0 cm)
Cutout Width	23 3/4" (60.3 cm)
Cutout Height	34 1/2" (87.6 cm) Min 35" (88.9 cm) Max
Electrical Requirements	1.2 A
Voltz/Hertz/Amps	120 V, 60 Hz, 15 or 20 amp circuit
Shipping Weight	146 lb (66 kg)

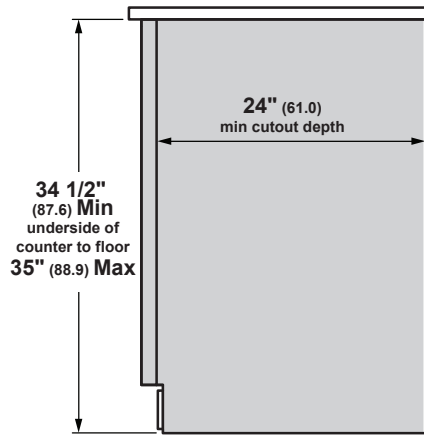
ATTENTION ELECTRICIAN:

A 115 volt 60Hz., 15 or 20 amp power supply is required. An individual properly grounded branch circuit or circuit breaker is recommended. Install a properly grounded 3-prong electrical receptacle recessed into the back wall.

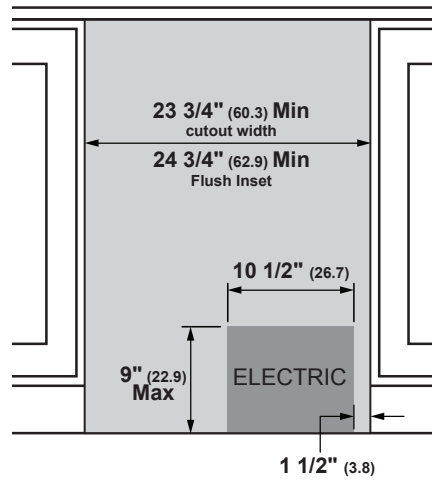
ELEVATE EVERYTHING™



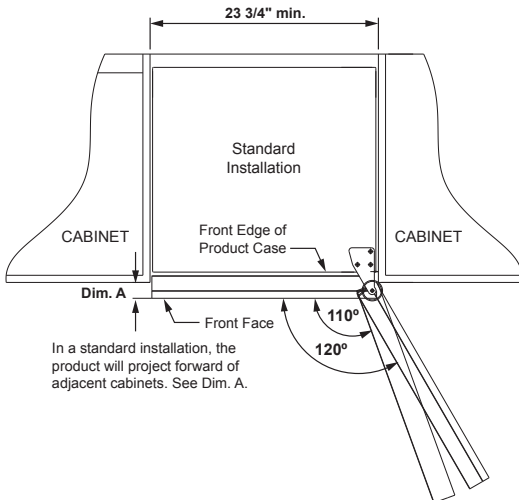
INSTALLATION



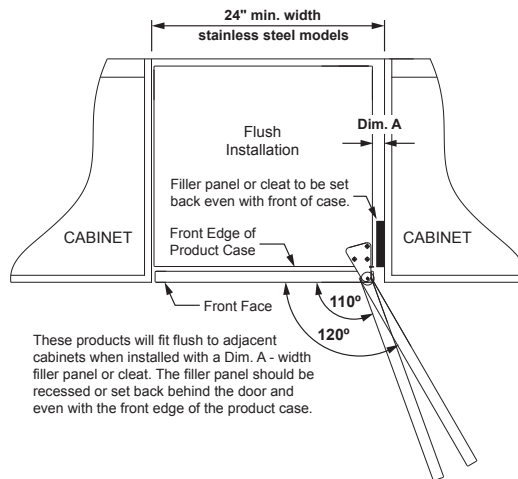
CUTOUT INSTALLATION
SIDE VIEW



INSTALLATION CUTOUT
FRONT VIEW



In a standard installation, the product will project forward of adjacent cabinets. See Dim. A.

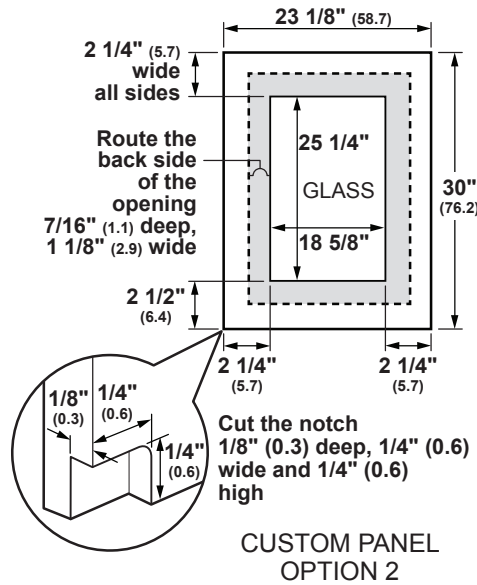
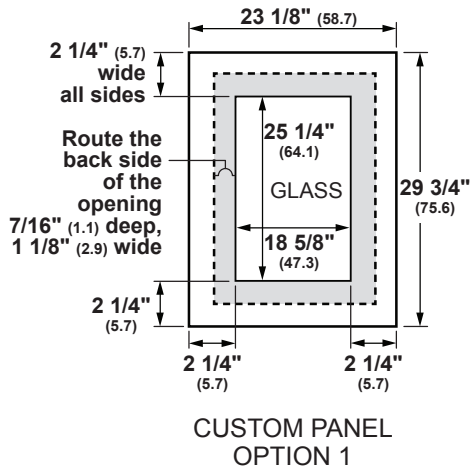


These products will fit flush to adjacent cabinets when installed with a Dim. A - width filler panel or cleat. The filler panel should be recessed or set back behind the door and even with the front edge of the product case.

NOTES

Installation Space
The Monogram Beverage Center may be installed beneath a countertop or can be used free-standing.

INSTALLATION



NOTES

There are two options: the panel may be 29-3/4" or 30" high. A 30" panel requires a notch cut into the bottom of the panel to avoid interference with the hinges.

Max. assembled door panel weight is 22 lbs.

NOTE: A solid panel that covers the door glass CANNOT be installed on these models.

FEATURES AND BENEFITS

DIGITAL TOUCH CONTROLS

Provides precise temperature settings essential for aging or serving wine, and a LED display allows easy viewing of temperatures

FULL-EXTENSION SLIDING WINE RACKS

Holds up to 57 bottles positioned either horizontally or vertically to maximize space and can be removed for larger bottles

UV RESISTANT, TEMPERED GLASS DOOR

Affords a full view of wine reserve contents while protecting what is inside

SOFT INTERIOR LED LIGHTING

Automatically illuminates when the door is open, but can be activated by an internal on/off switch

CONVENIENT 24" CONFIGURATION

Is fully finished on all sides to allow installation virtually anywhere in the home

FLUSH INSET INSTALLATION CAPABLE

Allows near-seamless integration with surrounding cabinetry

REVERSIBLE DOOR SWING

Easily reversed to left or right door swing as needed

CUSTOM-PANEL READY

Lets you coordinate models with cabinetry for a look of elegant understatement. Customer must choose a custom door panel and handle to complement their decor



ELEVATE EVERYTHING™

MONOGRAM