



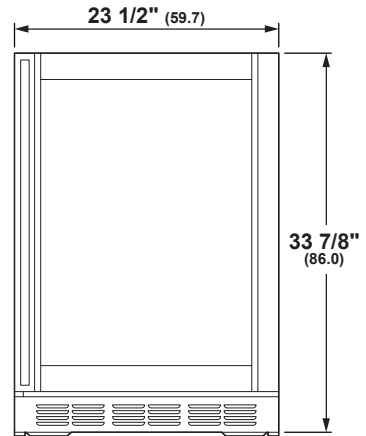
SPECIFICATIONS

Overall Width	23 1/2" (59.7 cm)
Overall Height	33 7/8" (86 cm)
Overall Depth	23 3/8" (59.4 cm)
Door Clearance	9 3/8" (23.8 cm) @ 110° 2" (5.1 cm) @ 90° 23 1/4" (59.1) door length
Overall Capacity	5.5 cu. ft.
Minimum Cabinet Width	23 3/4" (60.3 cm)
Minimum Cabinet Depth	24" (61.0 cm)
Cutout Width	23 3/4" (60.3 cm)
Cutout Height	34 1/2" (87.6 cm) Min 35" (88.9 cm) Max
Electrical Requirements	1.2 A
Voltz/Hertz/Amps	120 V, 60 Hz, 15 or 20 amp circuit
Shipping Weight	146 lb (66 kg)

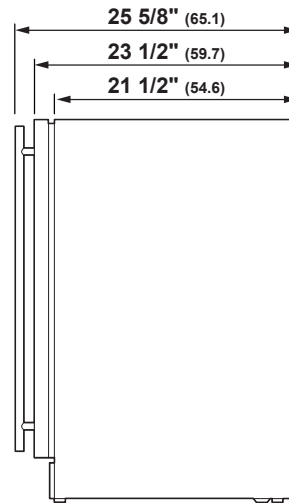
ATTENTION ELECTRICIAN:

A 115 volt 60Hz., 15 or 20 amp power supply is required. An individual properly grounded branch circuit or circuit breaker is recommended. Install a properly grounded 3-prong electrical receptacle recessed into the back wall.

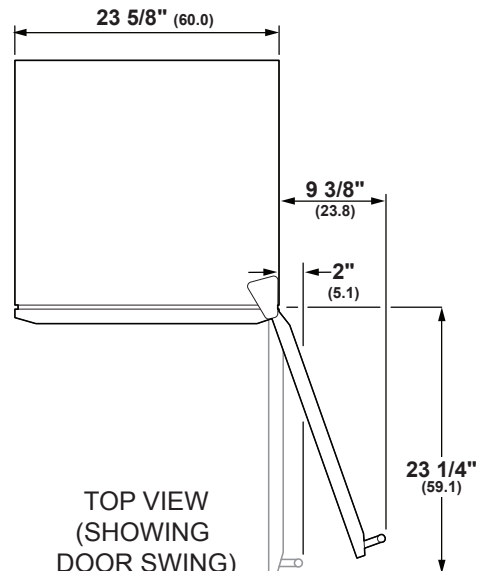
OVERALL DIMENSIONS



FRONT VIEW



SIDE VIEW



TOP VIEW (SHOWING DOOR SWING)

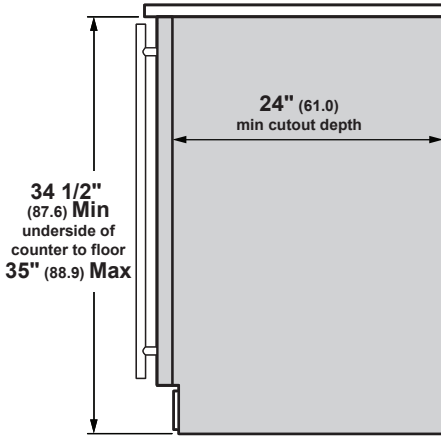
Dimensions in parentheses are in centimeters unless otherwise noted.

Actual product dimension may vary due to manufacturing tolerances.

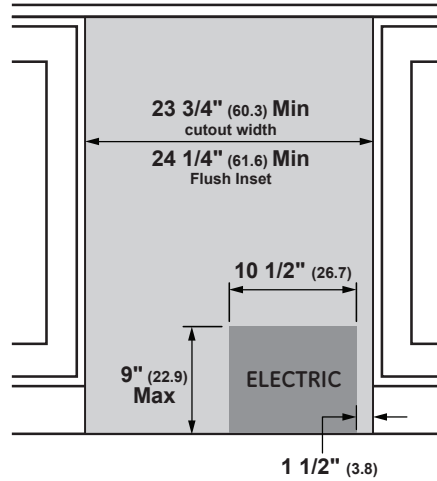
ELEVATE EVERYTHING™

MONOGRAM

INSTALLATION

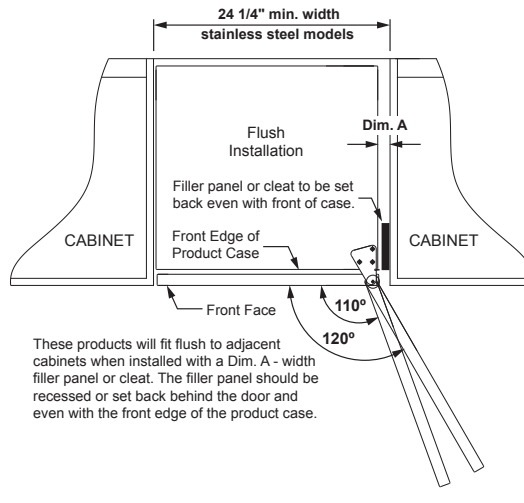
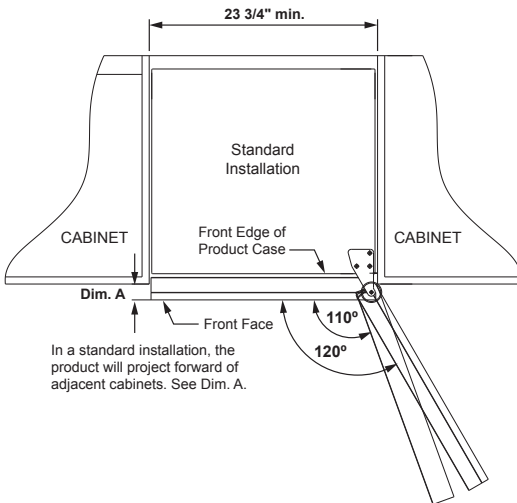


CUTOUT INSTALLATION
SIDE VIEW



INSTALLATION CUTOUT
FRONT VIEW

REFRIGERATION MODULES, TOP VIEW



PRODUCT	DIM. A
ZDWI240, ZDB1240	2"
ZDWR240, ZDBR240	1-3/4"
ZIFS240, ZIF1240	1-5/8"
ZDOD240	1-7/8"
ZIB1240, ZIBS240	2-5/8"

PRODUCT	DIM. A
ZDWI240, ZDB1240	1"
ZDWR240, ZDBR240	1"
ZIB1240, ZIF1240	1"
ZIFS240, ZIBS240	1/4"
ZDOD240	1-1/4"

NOTES

Installation Space
This module can be installed beneath a countertop or can be used free-standing.

For a standard installation of Stainless Steel unit: The product must be installed so that the front face will project 1-3/4" forward of adjacent cabinets.

For a flush installation of Stainless Steel unit: Install a 1/2" wide filler strip on the hinge side. The width of the opening must be 24-1/4" wide.

Location Requirements
All Monogram Refrigeration Modules may be closed in on the top and sides as long as the front is unobstructed for air circulation and door swing.

- Do not install these products where the temperatures will go below 55°F (13°C) or above 90°F (32°C).
- Do not install where they will be subject to direct sunlight, heat or moisture.
- These products are not designed to be stacked one over the other.

Side-by-Side Installation
For a complete refreshment center, install a Monogram Wine Reserve and Beverage Center together.

- Products must operate from separate properly grounded receptacles.

See Installation Instructions for side-by-side information.

FEATURES AND BENEFITS

DIGITAL TOUCH CONTROLS

Provides precise temperature settings essential for aging or serving wine, and a LED display allows easy viewing of temperatures

FULL-EXTENSION SLIDING WINE RACKS

Holds up to 57 bottles positioned either horizontally or vertically to maximize space and can be removed for larger bottles

UV RESISTANT, TEMPERED GLASS DOOR

Affords a full view of wine reserve contents while protecting what is inside

SOFT INTERIOR LED LIGHTING

Automatically illuminates when the door is open, but can be activated by an internal on/off switch

CONVENIENT 24" CONFIGURATION

Is fully finished on all sides to allow installation virtually anywhere in the home

FLUSH INSET INSTALLATION CAPABLE

Allows near-seamless integration with surrounding cabinetry

REVERSIBLE DOOR SWING

Easily reversed to left or right door swing as needed



ZDWR240HBS - wine reserve with digital controls



ELEVATE EVERYTHING™

MONOGRAM