



SPECIFICATIONS

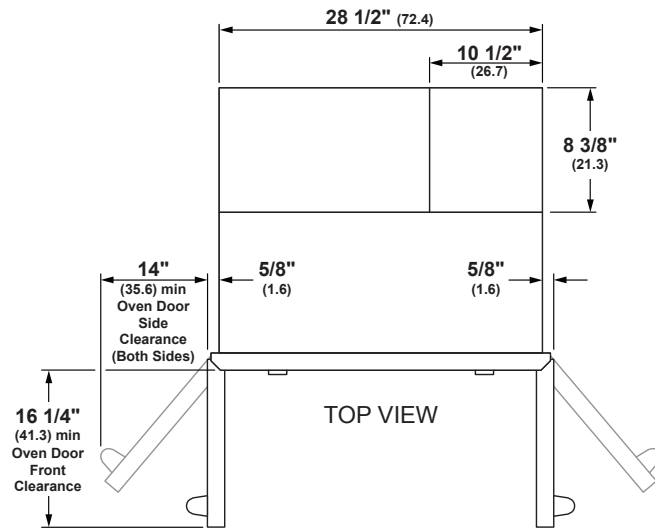
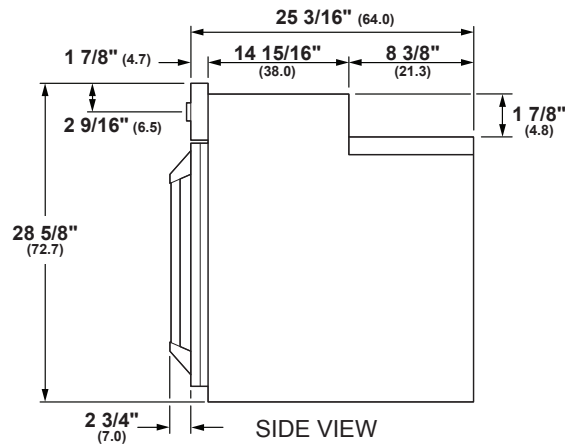
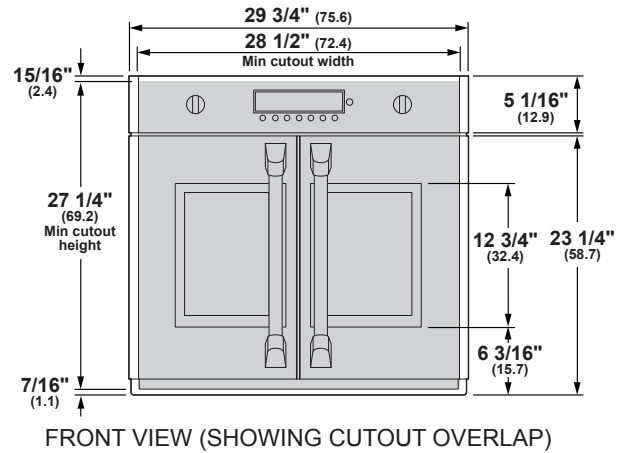
Overall Width	29 3/4" (75.6 cm)
Overall Height	28 5/8" (72.7 cm)
Overall Depth Including Handle	27 15/16" (71.0 cm)
Oven Door Clearance	16" (40.6 cm)
Overall Oven Interior Capacity	5.0 cu. ft. (141.6 l)
Oven Interior Dimensions (W x H x D)	25" x 17 3/8" x 20 1/4" (63.5 cm x 44.1 cm x 51.4 cm)
Minimum Cabinet Width	30" (76.2 cm)
Minimum Cabinet Depth	24" (61.0 cm)
Minimum Base Support	220 lbs (98.8 kg)
Cutout Width	28 1/2" (72.4 cm) Min 28 5/8" (72.7 cm) Max
Cutout Height	27 1/4" (69.2 cm) Min 27 5/16" (69.4 cm) Max
Cutout Depth	23 1/2" (59.7 cm) Min
Volts/Hertz/Amps	240/208 V AC, 60 Hz, 20A
Conduit Length	40", 72" available special order: WB18T10398
Electrical Rating	3.4 kW at 208V 4.5 kW at 240V
Shipping Weight	208 lbs (95 kg)

ATTENTION ELECTRICIAN:
 A 240/208V, 60Hz, 20 Amp circuit is required. An individual properly grounded branch circuit or circuit breaker is required. Hardware junction box is required for built-in product.

ELEVATE EVERYTHING™

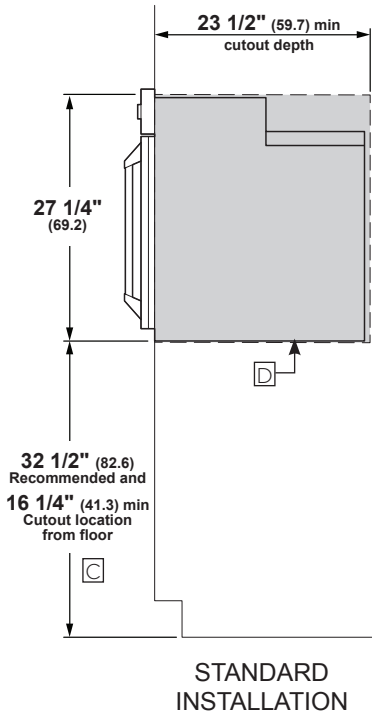


OVERALL DIMENSIONS

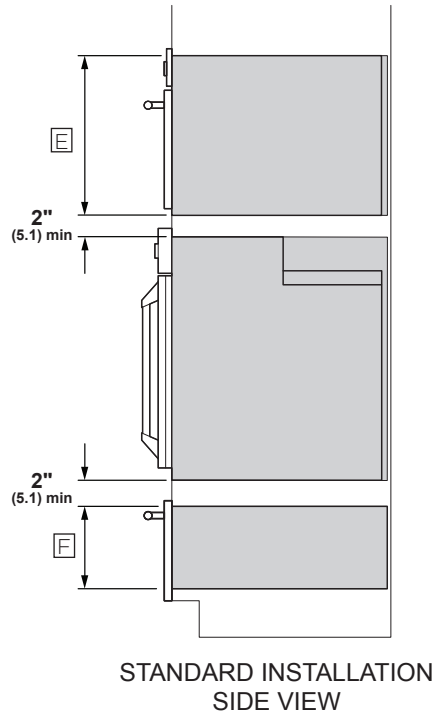


Dimensions in parentheses are in centimeters unless otherwise noted. Actual product dimensions may vary due to manufacturing tolerances.

WALL INSTALLATION



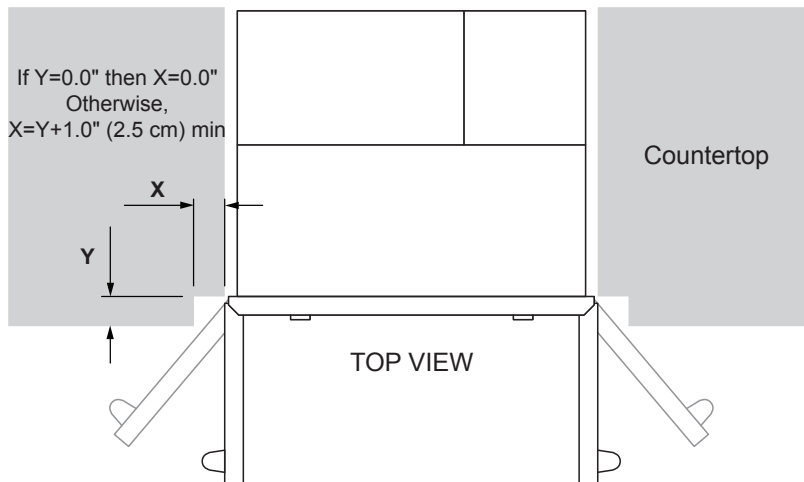
INSTALLATION WITH ADVANTIUM
AND WARMING DRAWER



NOTES

- Ⓐ This model is not approved for installation below a countertop or in combination with a separate cooktop. The minimum installation height from the floor is 16 1/4".
- Ⓑ This model is not approved for flush-mount installation.
- Ⓒ Based on user height of 5'6" to 5'10"
- Ⓓ Platform must be able to support 220 lbs. (98.8 kg)
- Ⓔ Dimensions per Advantium or Microwave Oven requirements.
- Ⓕ Dimensions per Warming Drawer requirements.

INSTALLATION TO ADJACENT COUNTERTOP

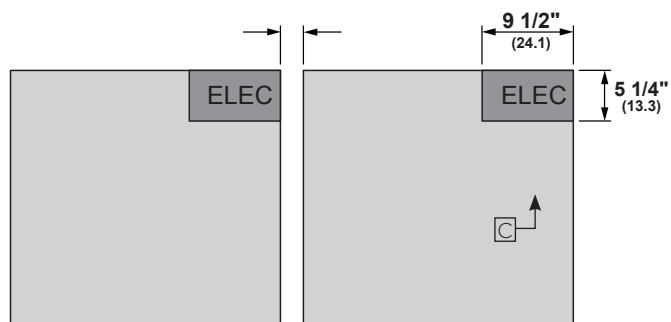


For more details, refer to the installation instructions for this product on Monogram.com. Dimensions in parentheses are in centimeters unless otherwise noted.

ELEVATE EVERYTHING™

MONOGRAM

SIDE BY SIDE INSTALLATION

SIDE BY SIDE INSTALLATION
FRONT VIEW OF CUTOUTS

NOTES

- Ⓐ This model is not approved for installation below a countertop or in combination with a separate cooktop. The minimum installation height from the floor is 16 1/4".
- Ⓑ This model is not approved for flush-mount installation.
- Ⓒ Junction box location (may also be located in adjacent cabinet.)

For more details, refer to the installation instructions for this product on Monogram.com. Dimensions in parentheses are in centimeters unless otherwise noted.

ELEVATE EVERYTHING™

MONOGRAM

FEATURES AND BENEFITS

FRENCH DOOR DESIGN

Inspired by commercial kitchen designs, the precision engineered chain-drive mechanism allows for one-handed opening of both oven doors at the same time

TRUE EUROPEAN CONVECTION WITH DIRECT AIR

Channels heated air from the top of the oven and circulates it around food on all sides for perfectly uniform baking and roasting

5.0 CU. FT. CAPACITY

Easily accommodates even the largest meals

SELF-CLEAN WITH STEAM CLEAN OPTION

Gives you flexible options for thorough oven cleaning

EXCLUSIVE SELF-CLEAN (2 FULL-EXTENSION, 1 REGULAR) OVEN RACKS

Glide in and out smoothly on stainless steel ball bearings, and are designed to be left in the oven during the self-clean cycle

WIFI CONNECT

Allows you to control oven functions from anywhere inside or even outside your home, using your smartphone or other web-enabled mobile device

STAINLESS STEEL BACK-LIT DIGITAL CONTROL KNOBS

Rotate with smooth precision. An indicator light in each knob makes it easy to view and select heat settings

THEATRE-STYLE LED OVEN LIGHTING

Located on both sides of the oven to enhance visibility and provide a clear view of food, regardless of rack position

TEN-PASS DUAL BROIL ELEMENT

Evenly browns dishes of all types and sizes

TEN-PASS HIDDEN BAKE ELEMENT

Assures even baking, while maximizing interior capacity and allowing easy cleaning

HAND-FINISHED EDGES

Reflect the meticulous quality and craftsmanship for which Monogram products are renowned



ELEVATE EVERYTHING

