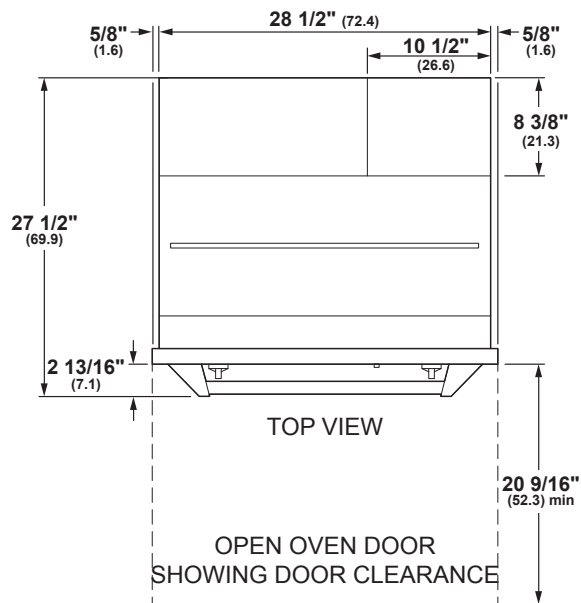
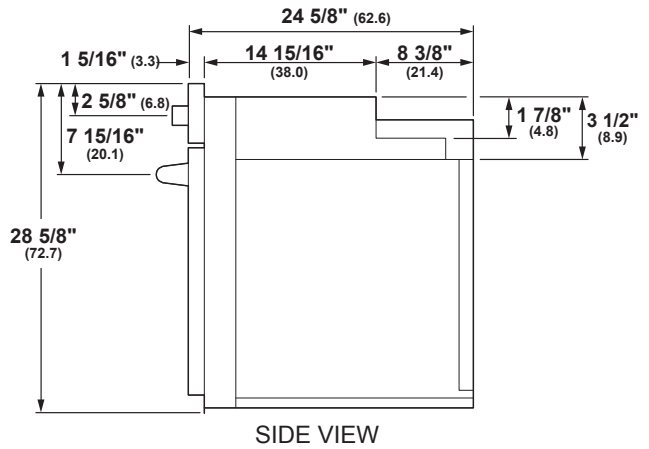
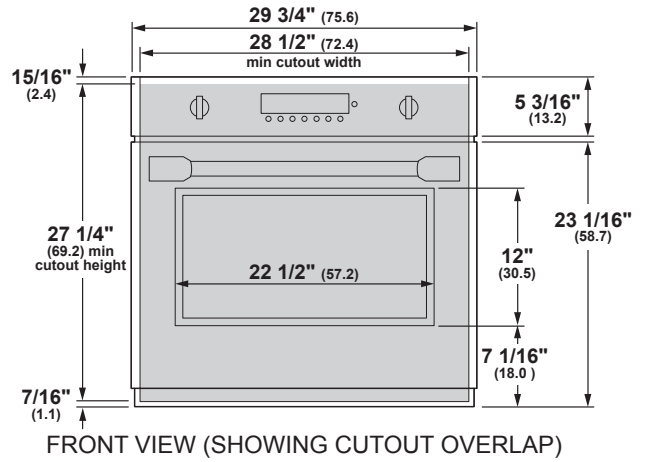




OVERALL DIMENSIONS



SPECIFICATIONS

Overall Width	29 3/4" (75.6 cm)
Overall Height	28 5/8" (72.7 cm)
Overall Depth Including Handle	27 1/2" (69.9 cm)
Oven Door Clearance	20 9/16" (52.3 cm)
Overall Oven Interior Capacity	5.0 cu. ft. (141.6 liters)
Oven Interior Dimensions (W x H x D)	25" x 17 3/8" x 20 1/4" (63.5 x 44.1 x 51.4 cm)
Minimum Cabinet Width*	30" (76.2 cm)
Minimum Cabinet Depth*	24" (61.0 cm)
Minimum Base Support	220 lbs. (99 kg)
Cutout Width*	28 1/2" (72.4 cm) Min 28 5/8" (72.7 cm) Max
Cutout Height*	27 1/4" (69.2 cm) Min 27 5/16" (69.4 cm) Max
Cutout Depth*	23 1/2" (59.7 cm) Min
Volts/Hertz/Amps	240/208 V AC, 60 Hz, 20A
Conduit Length	40" (72" available special order: WB18T10398)
Electrical Rating	3.4 kW at 208V 4.5 kW at 240V
Shipping Weight	208 lbs. (95 kg)

\* Additional space will be needed for flush installation.

ATTENTION ELECTRICIAN:

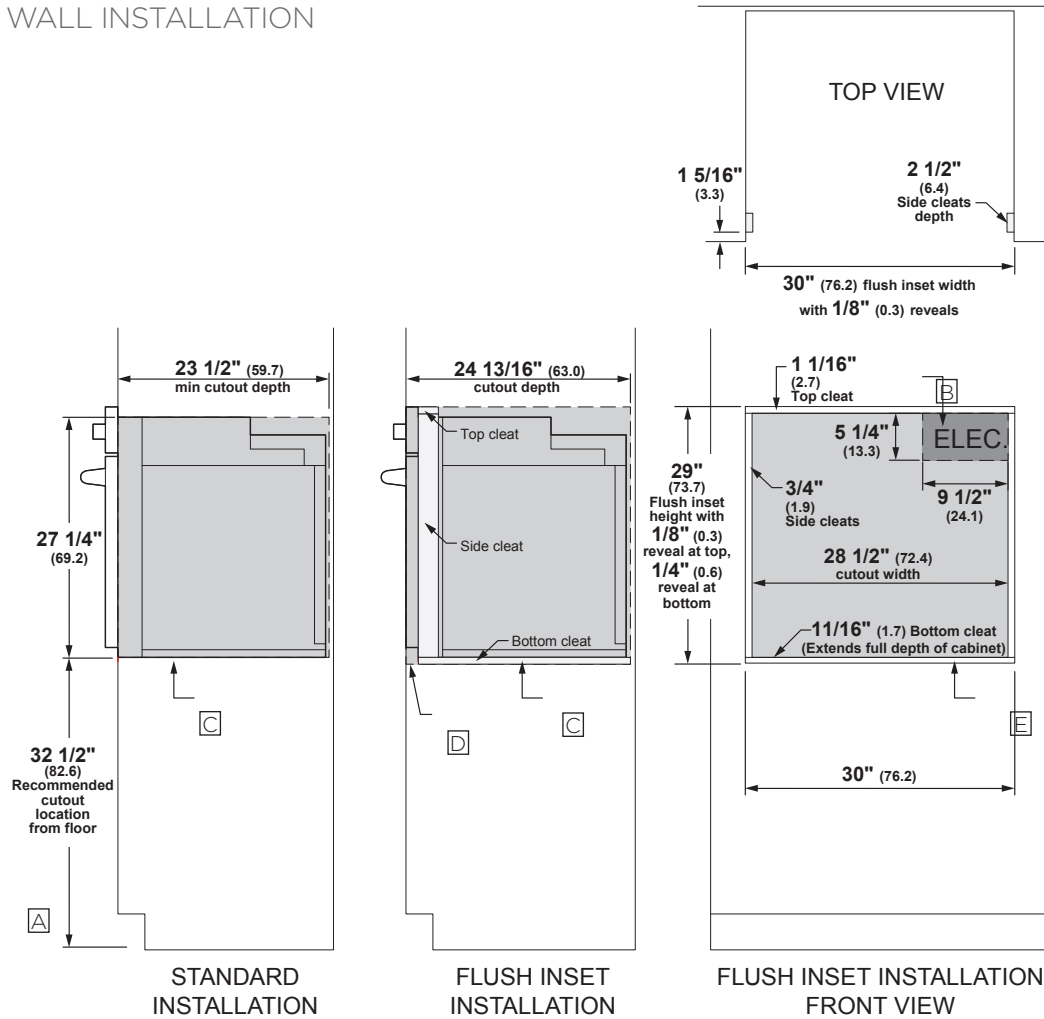
A 240/208V, 60Hz, 20 Amp circuit is required. An individual properly grounded branch circuit or circuit breaker is required. Hardware junction box is required for built-in product.

Dimensions in parentheses are in centimeters unless otherwise noted. Actual product dimensions may vary due to manufacturing tolerances.

ELEVATE EVERYTHING™



WALL INSTALLATION

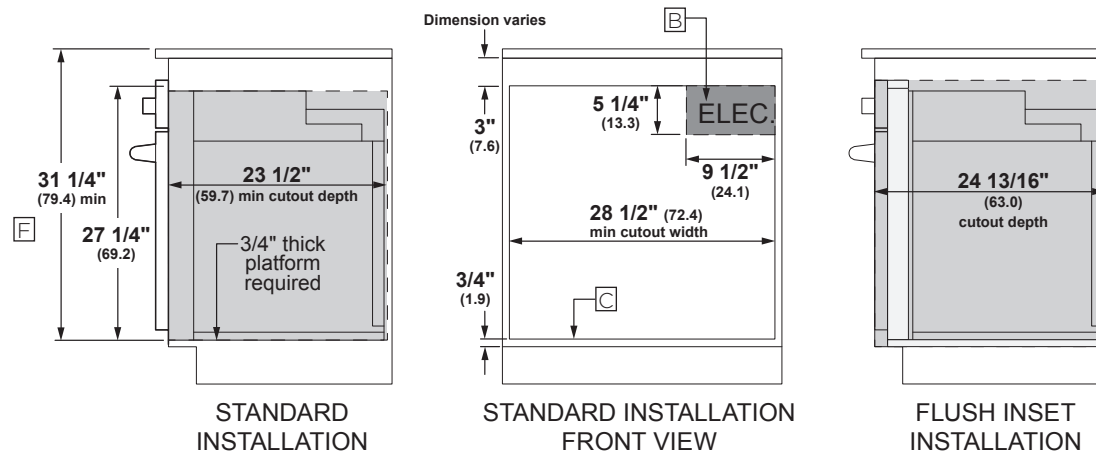


Allow 1/8" (0.3) clearances from side edges of oven door.

NOTES

- [A] Based on a user height of 5' 6" to 5' 10"
- [B] Junction box location (May also be located in adjacent cabinet.)
- [C] Platform must be able to support 220 lbs (99 kg)
- [D] Cabinet surfaces must be an appearance finished surface for flush installation.
- [E] Cleats may be visible and should be finished to match cabinetry.
- [F] Minimum 31 1/4" from the top surface of the countertop to the top surface of the wall oven support platform when installed beneath a certified cooktop.

UNDERCOUNTER INSTALLATION

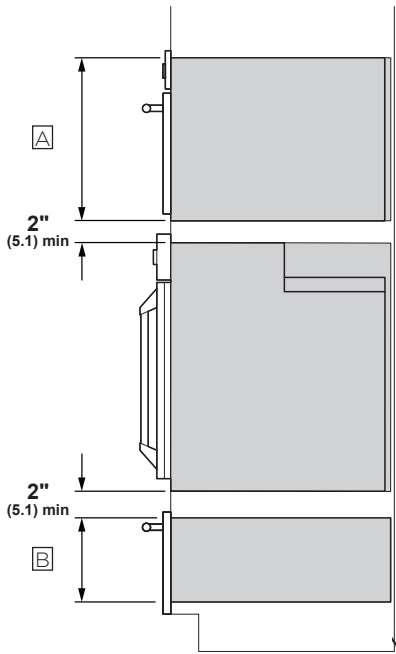


For more details, refer to the installation instructions for this product on Monogram.com. Dimensions in parentheses are in centimeters unless otherwise noted.

ELEVATE EVERYTHING™

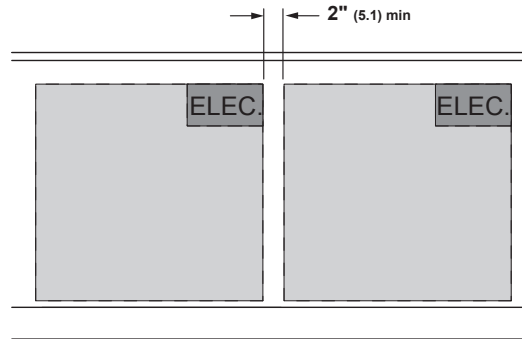


INSTALLATION WITH  
ADVANTIUM AND  
WARMING DRAWER



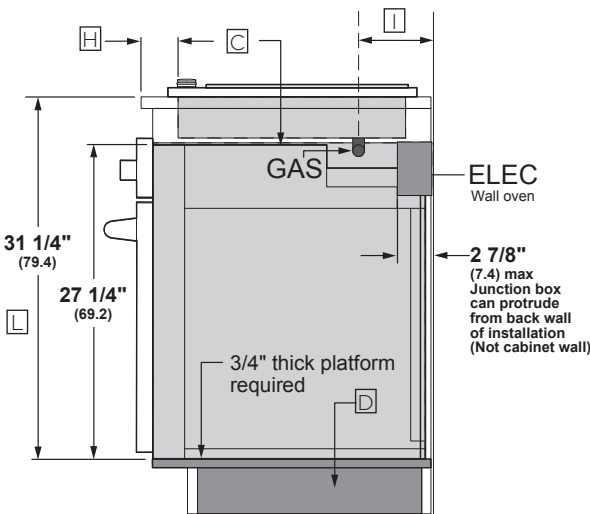
STANDARD INSTALLATION  
SIDE VIEW

SIDE BY SIDE INSTALLATION

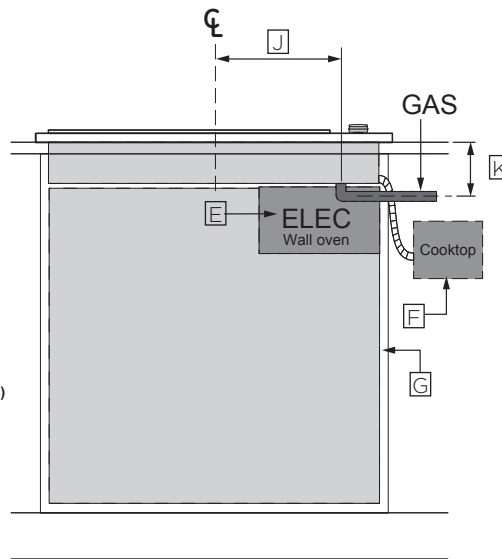


SIDE-BY-SIDE INSTALLATION  
FRONT VIEW OF CUTOUTS

UNDER COOKTOP INSTALLATION



STANDARD INSTALLATION  
SIDE VIEW



FRONT VIEW

NOTES

- A Dimensions per Advantium or Microwave Oven requirements
- B Dimension per Warming Drawer requirements
- C Note this oven is only approved to be installed under specific models as labeled on this unit.
- D Support platform made of 3/4" (1.9 cm) wood is required. Must be capable of supporting 220 lbs (99 kg). Support Platform base to be same height as toe kick.
- E Junction box location for wall oven. (May also be located in adjacent cabinet).
- F Gas regulator and electric connections for cooktops must be located in an adjacent accessible location to the right
- G Top and/or side fillers may be necessary if unit is positioned between existing cabinets. Be sure they are attached securely, since they will anchor the oven in the cabinet.
- H For flush oven installations, the cooktop cutout must be set back 2 1/2" (6.4) plus the cleat setback.
- I Dimension varies based on model. Example:  
ZGU385 5 1/2" (14.0) from wall  
ZGU384 4 5/16" (11.0) from wall
- J Dimension varies based on model. Example:  
ZGU385 0" (centerline)  
ZGU384 12 1/16" (30.6) (centerline)
- K Dimension varies based on model. Example:  
ZGU385 5 1/2" (14.0), requires use of 90° 1/2" FPT x 1/2" FL brass street elbow  
ZGU384 5" (12.7)
- L Minimum 31 1/4" from the top surface of the countertop to the top surface of the wall oven support platform when installed beneath a certified cooktop.

For more details, refer to the installation instructions for this product on Monogram.com. Dimensions in parentheses are in centimeters unless otherwise noted.

ELEVATE EVERYTHING™



## FEATURES AND BENEFITS

**TRUE EUROPEAN CONVECTION WITH DIRECT AIR CHANNELS**  
heated air from the top of the oven and circulates it around food on all sides for perfectly uniform baking and roasting

**5.0 CU. FT. CAPACITY**  
Accommodates even the largest meals

**TEN-PASS BAKE ELEMENT**  
Covers more surface area for more even baking results

**ALL-GLASS INTERIOR DOOR PANEL**  
Offers a visually striking look that's easy to clean

**THEATRE-STYLE LED OVEN LIGHTING**  
Located on both sides of the oven to enhance visibility and provide a clear view of food, regardless of rack position

**STAINLESS STEEL BACK-LIT DIGITAL CONTROL KNOBS**  
Rotate with smooth precision. An indicator light in each knob makes it easy to view and select heat settings

**NOTIFICATION LIGHTING**  
Allows you to check cooking status with a quick glance

**EXCLUSIVE SELF-CLEAN (2 FULL-EXTENSION, 1 REGULAR) OVEN RACKS**  
Glide in and out smoothly on stainless steel ball bearings, and are designed to be left in the oven during the self-clean cycle

**SELF-CLEAN WITH STEAM CLEAN OPTION**  
Gives you flexible options for thorough oven cleaning

**TEN-PASS, DUAL BROIL ELEMENT**  
Evenly browns dishes of all types and sizes

**WIFI CONNECT**  
Allows you to control oven functions from anywhere inside or even outside your home, using your smartphone or other web-enabled mobile device

**BLACK INTERIOR**  
Offers a stylish complement to the sophisticated exterior design



ELEVATE EVERYTHING™

**MONOGRAM**