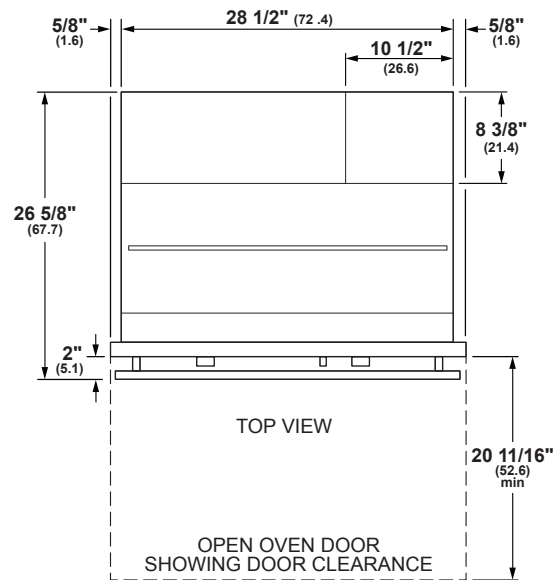
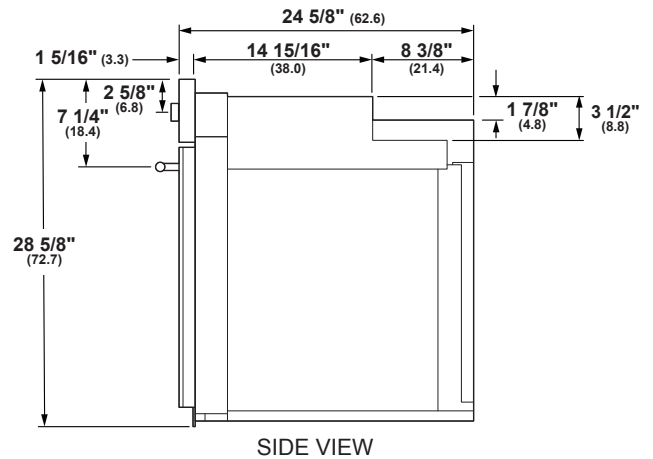
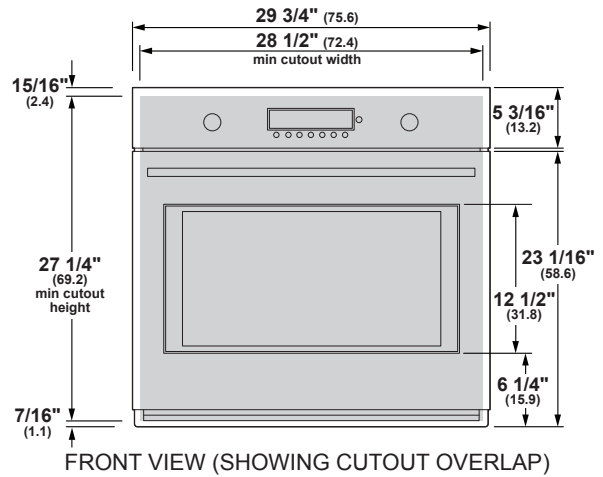




OVERALL DIMENSIONS



SPECIFICATIONS

Overall Width	29 3/4" (75.6 cm)
Overall Height	28 5/8" (72.7 cm)
Overall Depth Including Handle	26 5/8" (67.7 cm)
Oven Door Clearance	20 11/16" (52.6 cm)
Overall Oven Interior Capacity	5.0 cu. ft. (141.6 liters)
Oven Interior Dimensions (W x H x D)	25" x 17 3/8" x 20 1/4" (63.5 x 44.1 x 51.4 cm)
Minimum Cabinet Width*	30" (76.2 cm)
Minimum Cabinet Depth*	24" (61.0 cm)
Minimum Base Support	220 lbs. (99 kg)
Cutout Width*	28 1/2" (72.4 cm) Min 28 5/8" (72.7 cm) Max
Cutout Height*	27 1/4" (69.2 cm) Min 27 5/16" (69.4 cm) Max
Cutout Depth*	23 1/2" (59.7 cm) Min
Volts/Hertz/Amps	240/208 V AC, 60 Hz, 20A
Conduit Length	40" (72" available special order: WB18T10398)
Electrical Rating	3.4 kW at 208V 4.5 kW at 240V
Shipping Weight	184 lbs. (84 kg)

* Additional space will be needed for flush installation.

ATTENTION ELECTRICIAN:

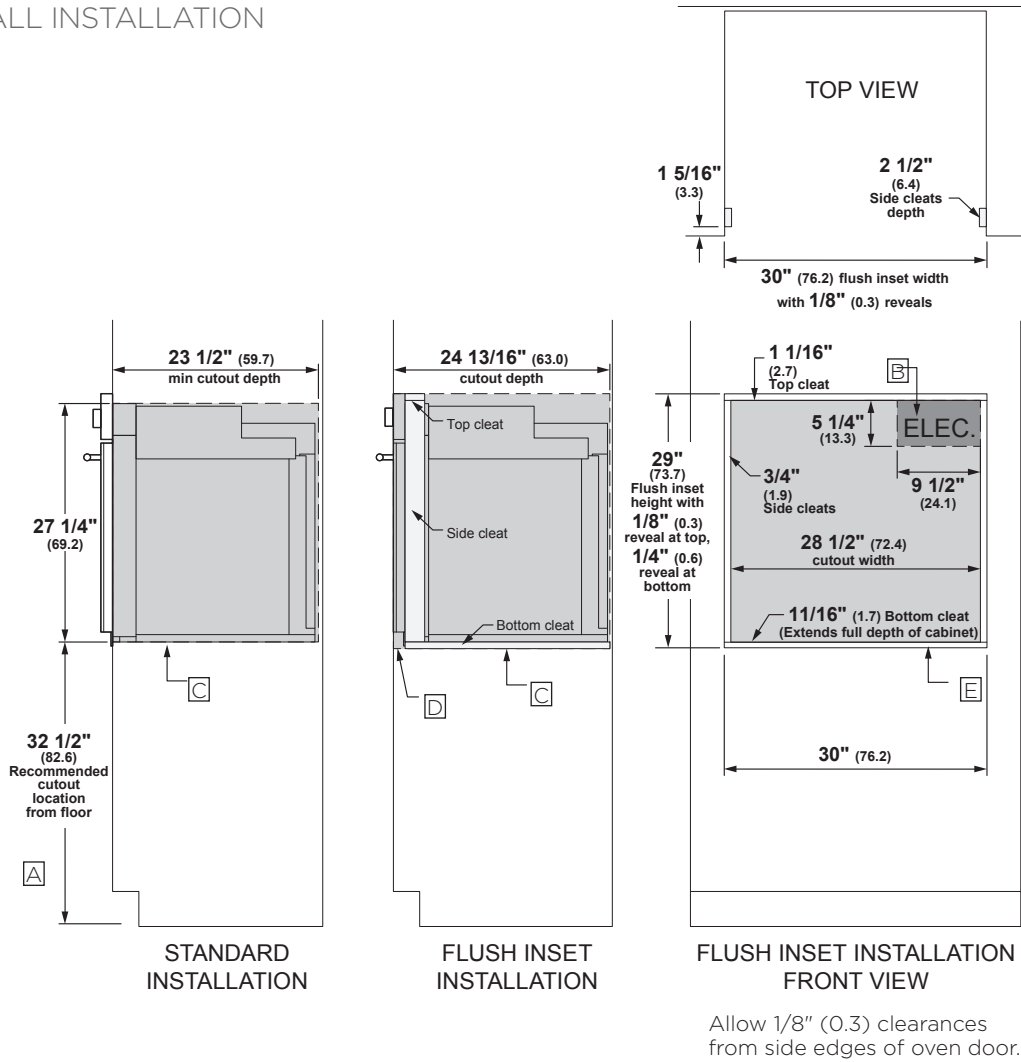
A 240/208V, 60Hz, 20 Amp circuit is required. An individual properly grounded branch circuit or circuit breaker is required. Hardware junction box is required for built-in product.

Dimensions in parentheses are in centimeters unless otherwise noted. Actual product dimensions may vary due to manufacturing tolerances.

ELEVATE EVERYTHING™



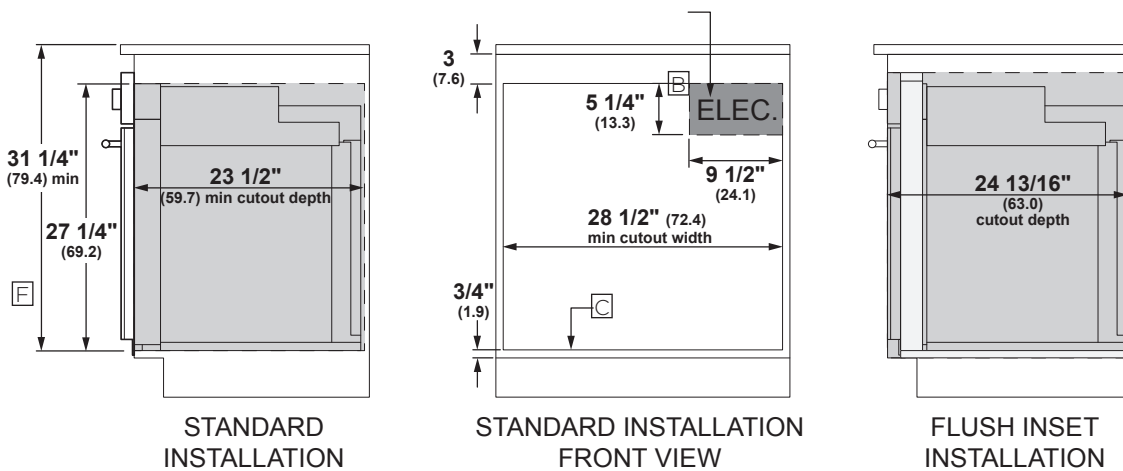
WALL INSTALLATION



NOTES

- A Based on a user height of 5' 6" to 5' 10"
- B Junction box location (May also be located in adjacent cabinet.)
- C Platform must be able to support 220 lbs (99 kg)
- D Cabinet surfaces must be an appearance finished surface for flush installation.
- E Cleats may be visible and should be finished to match cabinetry.
- F Minimum 31 1/4" from the top surface of the countertop to the top surface of the wall oven support platform when installed beneath a certified cooktop.

UNDERCOUNTER INSTALLATION

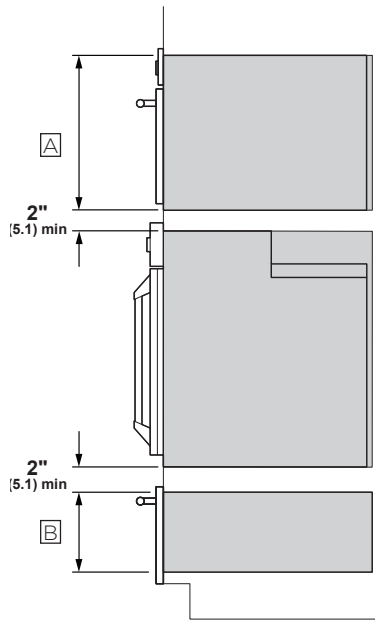


For more details, refer to the installation instructions for this product on Monogram.com. Dimensions in parentheses are in centimeters unless otherwise noted.

ELEVATE EVERYTHING™

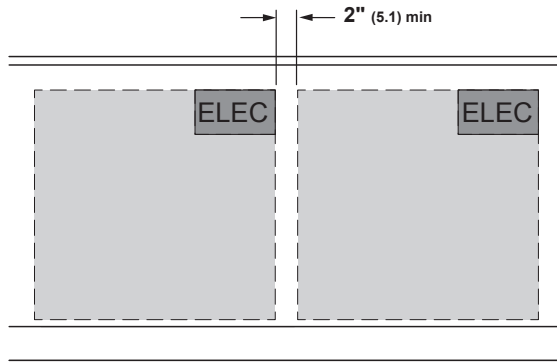


INSTALLATION WITH ADVANTIUM AND WARMING DRAWER



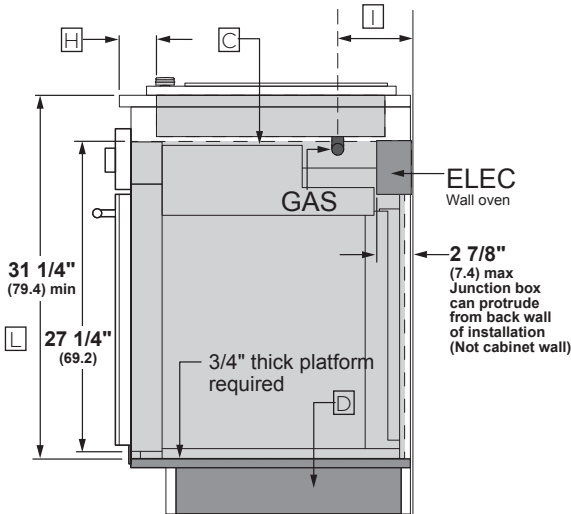
STANDARD INSTALLATION
SIDE VIEW

SIDE BY SIDE INSTALLATION

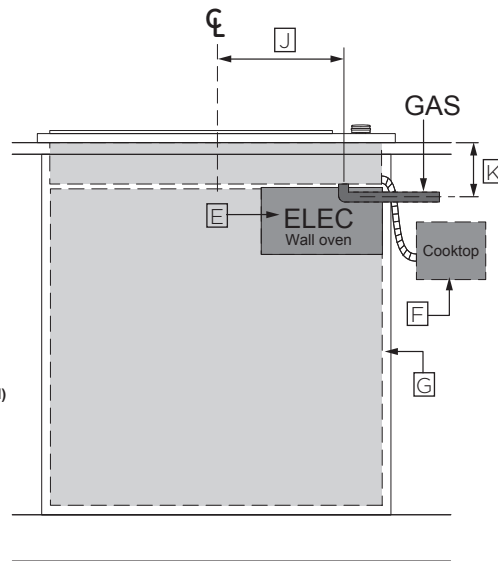


SIDE-BY-SIDE INSTALLATION
FRONT VIEW OF CUTOUTS

UNDER COOKTOP INSTALLATION



STANDARD INSTALLATION
SIDE VIEW



FRONT VIEW

For more details, refer to the installation instructions for this product on Monogram.com. Dimensions in parentheses are in centimeters unless otherwise noted.

NOTES

- A Dimensions per Advantium or Microwave Oven requirements
- B Dimension per Warming Drawer requirements
- C Note this oven is only approved to be installed under specific models as labeled on this unit.
- D Support platform made of 3/4" (1.9 cm) wood is required. Must be capable of supporting 220 lbs (99 kg). Support Platform base to be same height as toe kick.
- E Junction box location for wall oven. (May also be located in adjacent cabinet).
- F Gas regulator and electric connections for cooktops must be located in an adjacent accessible location to the right
- G Top and/or side fillers may be necessary if unit is positioned between existing cabinets. Be sure they are attached securely, since they will anchor the oven in the cabinet.
- H For flush oven installations, the cooktop cutout must be set back 2 1/2" (6.4) plus the cleat setback.
- I Dimension varies based on model. Example: ZGU385 5 1/2" (14.0) from wall ZGU384 4 5/16" (11.0) from wall
- J Dimension varies based on model. Example: ZGU385 0" (centerline) ZGU384 12 1/16" (30.6) (centerline)
- K Dimension varies based on model. Example: ZGU385 5 1/2" (14.0), requires use of 90° 1/2" FPT x 1/2" FL brass street elbow ZGU384 5" (12.7)
- L Minimum 31 1/4" from the top surface of the countertop to the top surface of the wall oven support platform when installed beneath a certified cooktop.

ELEVATE EVERYTHING™



FEATURES AND BENEFITS

TRUE EUROPEAN CONVECTION WITH DIRECT AIR CHANNELS
Channels heated air from the top of the oven and circulates it around food on all sides for perfectly uniform baking and roasting

5.0 CU. FT. CAPACITY
Accommodates even the largest meals

TEN-PASS BAKE ELEMENT
Covers more surface area for more even baking results

ALL-GLASS INTERIOR DOOR PANEL
Offers a visually striking look that's easy to clean

THEATRE-STYLE LED OVEN LIGHTING
Located on both sides of the oven to enhance visibility and provide a clear view of food, regardless of rack position

STAINLESS STEEL BACK-LIT DIGITAL CONTROL KNOBS
Rotate with smooth precision. An indicator light in each knob makes it easy to view and select heat settings

NOTIFICATION LIGHTING
Allows you to check cooking status with a quick glance

EXCLUSIVE SELF-CLEAN (2 FULL-EXTENSION, 1 REGULAR) OVEN RACKS
Glide in and out smoothly on stainless steel ball bearings, and are designed to be left in the oven during the self-clean cycle

SELF-CLEAN WITH STEAM CLEAN OPTION
Gives you flexible options for thorough oven cleaning

TEN-PASS, DUAL BROIL ELEMENT
Evenly browns dishes of all types and sizes

WIFI CONNECT
Allows you to control oven functions from anywhere inside or even outside your home, using your smartphone or other web-enabled mobile device

BLACK INTERIOR
Offers a stylish complement to the sophisticated exterior design



ELEVATE EVERYTHING™

MONOGRAM