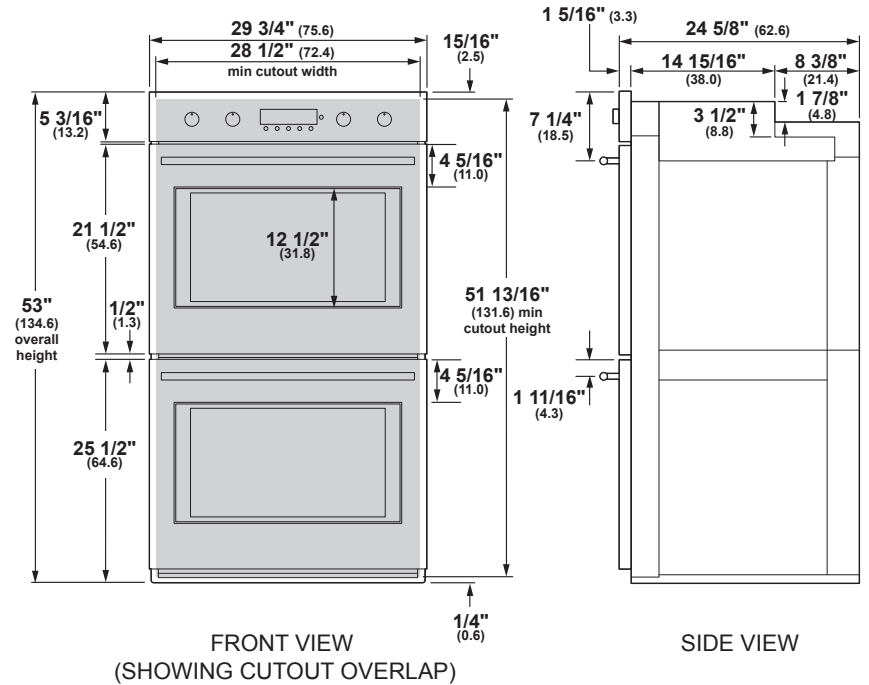




OVERALL DIMENSIONS

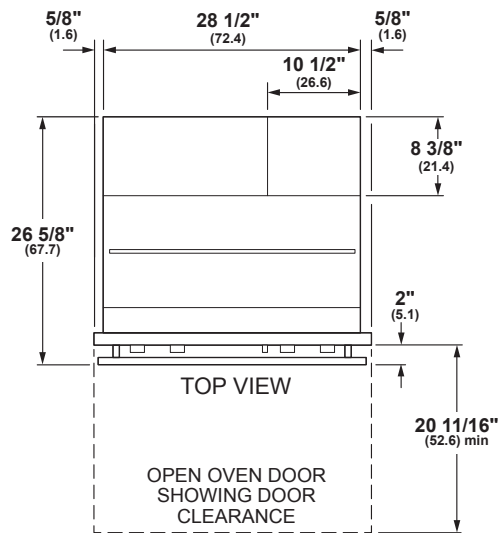


SPECIFICATIONS

Overall Width	29 3/4" (75.6 cm)
Overall Height	53" (134.6 cm)
Overall Depth Including Handle	26 5/8" (67.7 cm)
Oven Door Clearance	20 11/16" (52.6 cm)
Overall Oven Interior Capacity	10.0 cu. ft. (283.2 liters)
Oven Interior Dimensions (W x H x D) each oven	25" x 17 3/8" x 20 1/4" (63.5 x 44.1 x 51.4 cm)
Minimum Cabinet Width*	30" (76.2 cm)
Minimum Cabinet Depth*	24" (61.0 cm)
Minimum Base Support	400 lbs. (181 kg)
Cutout Width*	28 1/2" (72.4 cm) Min 28 5/8" (72.7 cm) Max
Cutout Height*	51 13/16" (131.6 cm) Min 51 15/16" (131.9 cm) Max
Cutout Depth*	23 1/2" (59.7 cm) Min
Volts/Hertz/Amps	240/208 V AC, 60 Hz, 40A
Conduit Length	40" (72" available special order: WB18T10398)
Electrical Rating	6.8 kW at 208V 9.0 kW at 240V
Shipping Weight	390 lbs. (178 kg)

* Additional space will be needed for flush installation.

ATTENTION ELECTRICIAN:
A 240/208V, 60Hz, 40 Amp circuit is required. An individual properly grounded branch circuit or circuit breaker is required. Hardware junction box is required for built-in product.

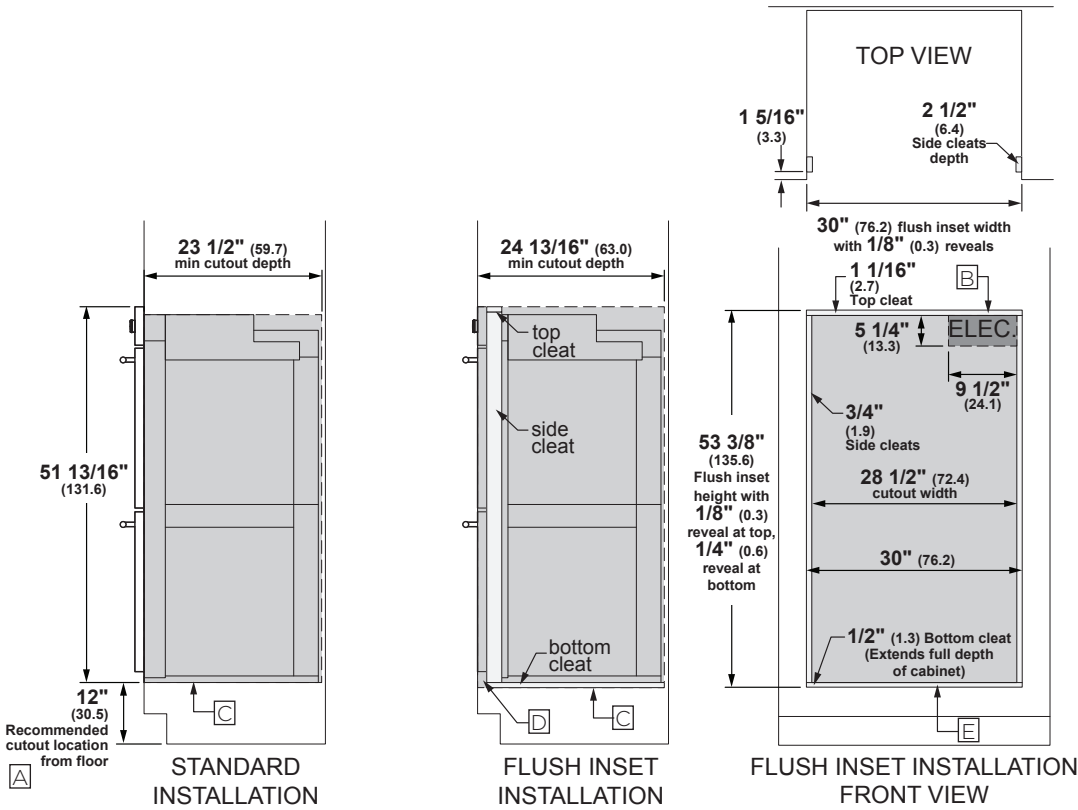


Dimensions in parentheses are in centimeters unless otherwise noted. Actual product dimensions may vary due to manufacturing tolerances.

ELEVATE EVERYTHING™



WALL INSTALLATION

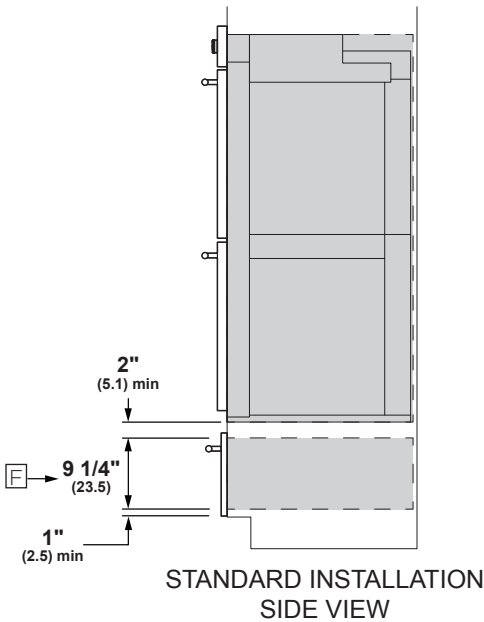


Allow 1/8" (0.3) clearances from side edges of oven door.

NOTES

- [A] Based on a user height of 5' 6" to 5' 10"
- [B] Junction box location (May also be located in adjacent cabinet.)
- [C] Platform must be able to support 400 lbs (181 kg)
- [D] Cabinet surfaces must be an appearance finished surface for flush installation.
- [E] Cleats may be visible and should be finished to match cabinetry.
- [F] Dimension per Warming Drawer requirement

INSTALLATION OVER WARMING DRAWER



ELEVATE EVERYTHING™



For more details, refer to the installation instructions for this product on Monogram.com. Dimensions in parentheses are in centimeters unless otherwise noted.

FEATURES AND BENEFITS

TRUE EUROPEAN CONVECTION WITH DIRECT AIR CHANNELS
heated air from the top of the oven and circulates it around food on all sides for perfectly uniform baking and roasting

10.0 CU. FT. OVEN CAPACITY (5.0 EACH OVEN)
Accommodates even the largest meals

TEN-PASS BAKE ELEMENT
Covers more surface area for more even baking results

ALL-GLASS INTERIOR DOOR PANEL
Offers a visually striking look that's easy to clean

THEATRE-STYLE LED OVEN LIGHTING
Located on both sides of the oven to enhance visibility and provide a clear view of food, regardless of rack position

STAINLESS STEEL BACK-LIT DIGITAL CONTROL KNOBS
Rotate with smooth precision. An indicator light in each knob makes it easy to view and select heat settings

NOTIFICATION LIGHTING
Allows you to check cooking status with a quick glance

EXCLUSIVE SELF-CLEAN (2 FULL-EXTENSION, 1 REGULAR) OVEN RACKS (EACH OVEN)
Glide in and out smoothly on stainless steel ball bearings, and are designed to be left in the oven during the self-clean cycle

SELF-CLEAN WITH STEAM CLEAN OPTION
Gives you flexible options for thorough oven cleaning

TEN-PASS, DUAL BROIL ELEMENT
Evenly browns dishes of all types and sizes

WIFI CONNECT
Allows you to control oven functions from anywhere inside or even outside your home, using your smartphone or other web-enabled mobile device

BLACK INTERIOR
Offers a stylish complement to the sophisticated exterior design



70 to 90% U.S. content. Product content details at GEAppliances.com/USA

ELEVATE EVERYTHING™

