



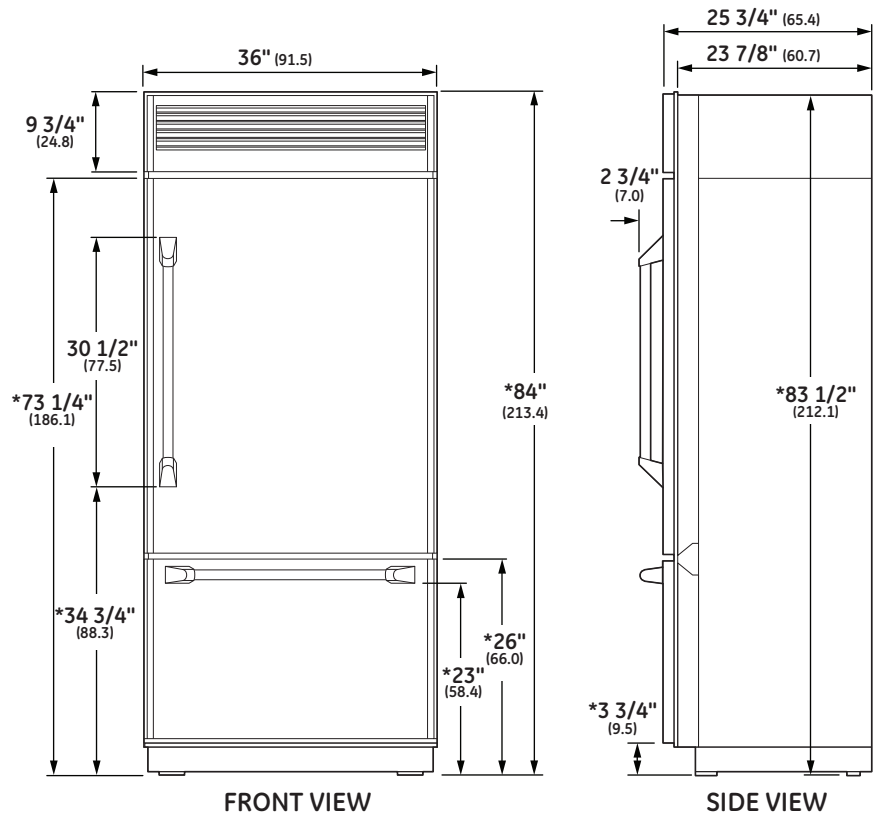
SPECIFICATIONS

Overall Width	36" (91.4 cm)
Overall Height	84" (213.4 cm)
Overall Depth	25 3/4" (65.4 cm)
Door Clearance	36 3/4" (93.4 cm)
Cutout Width	35 1/2" (90.2 cm)
Cutout Height	83 1/2" - 84 1/2" (212.1 - 214.6 cm)
Cutout Depth	24" (61 cm)
Plumbing Requirements	1/4" OD copper tubing or GE SmartConnect kit
Shipping Weight	640 lb (290.3 kg)

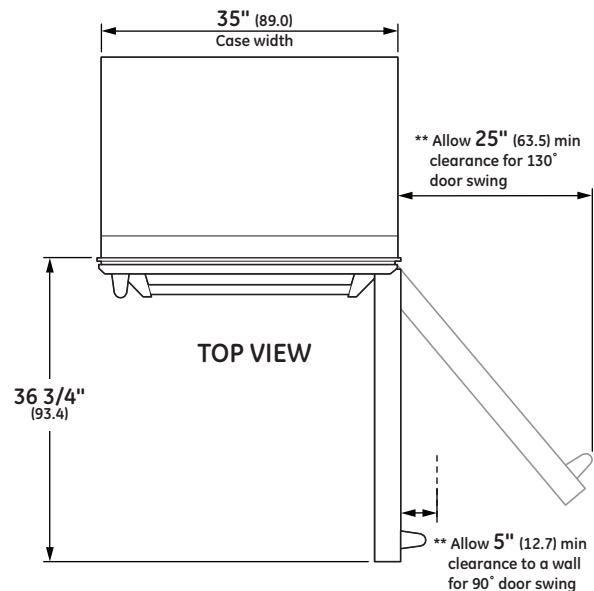
ATTENTION ELECTRICIAN:

A 115 volt 60Hz., 15 or 20 amp power supply is required. An individual properly grounded branch circuit or circuit breaker is recommended. Install a properly grounded 3-prong electrical receptacle recessed into the back wall.

OVERALL DIMENSIONS



* Shipping height. Use leveling legs and wheels for maximum 1" height adjustment from shipping height.



** These refrigerators are equipped with a 2-position door stop. The factory-set 130° door swing can be adjusted to 90° if clearances to adjacent cabinets or walls is restricted. Allow a 15" minimum clearance to wall for pan removal. If the 90° door stop position is used, pan access is maintained, but pan removal is restricted.

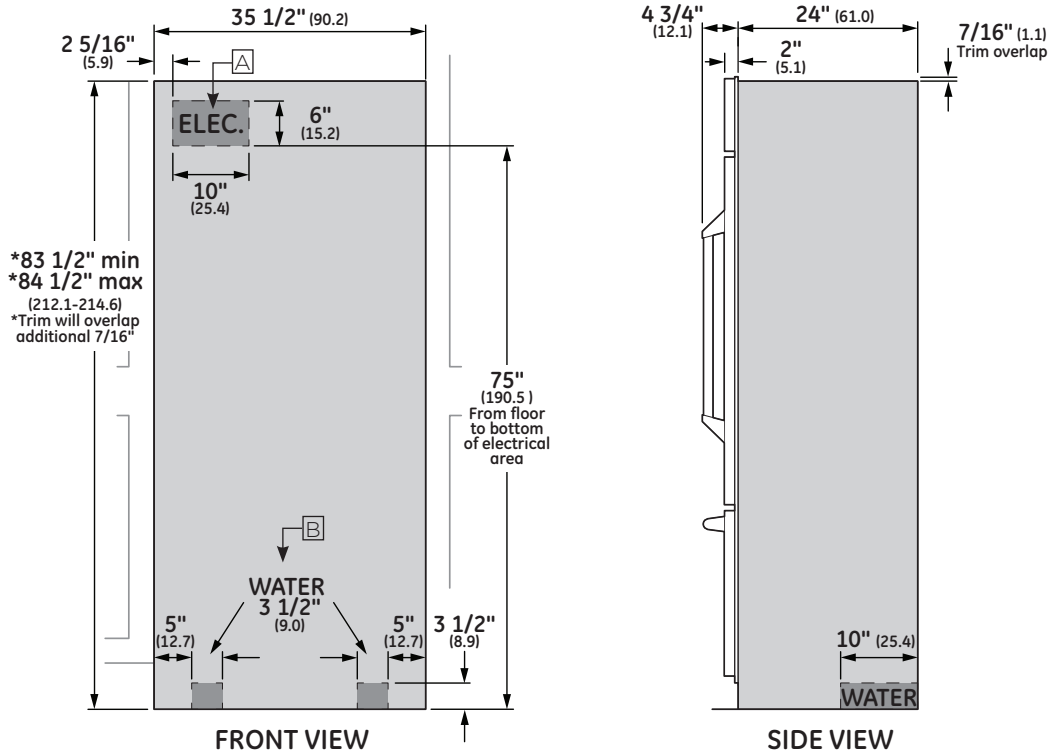
Dimensions in parentheses are in centimeters unless otherwise noted. Actual product dimension may vary due to manufacturing tolerances.

ELEVATE EVERYTHING™

MONOGRAM

MONOGRAM 36" BUILT-IN BOTTOM-FREEZER REFRIGERATOR ZICP360NHRH

STANDARD INSTALLATION



NOTES

- ⚠ Mounting the junction box in this location will also allow for front accessibility through access panel.
- 📦 Water supply area.

⚠ WARNING:

The refrigerator is top heavy and must be secured to prevent the possibility of tipping forward. Failure to do so may result in death or serious injury.

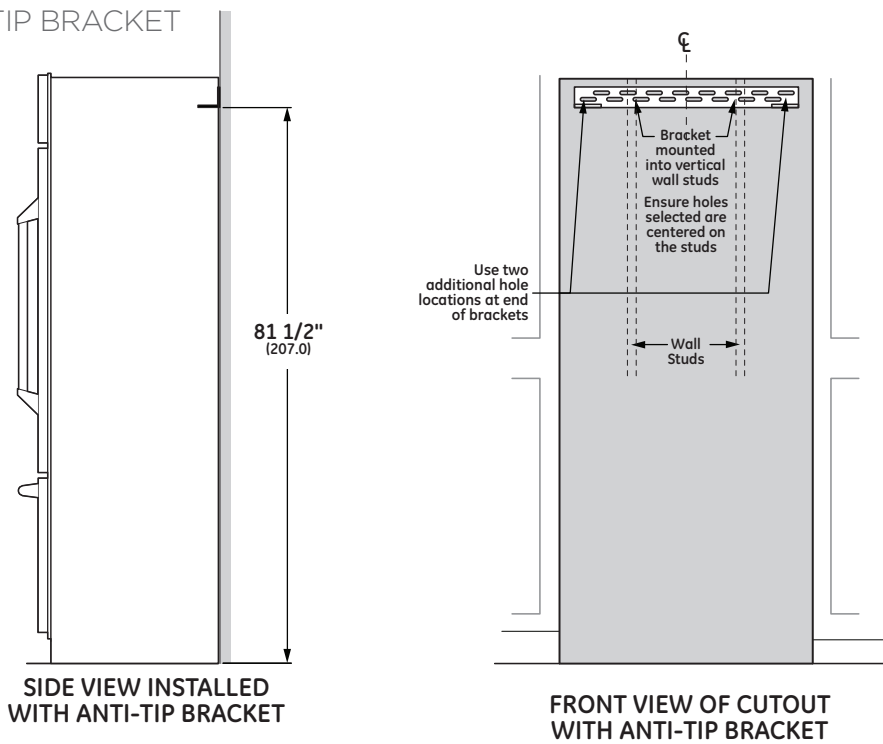
The information below is for cabinet design only. When installing the anti-tip system you must use the product installation instructions.

The information below applies to all installation constructions:

- A wall bracket, bolts and toggles will be supplied with the unit.
- The bolts will be used to attach bracket to wall in 4 locations. Two of the locations must penetrate the center of the wall studs.
- The toggles are used for stability in drywall and when metal studs are encountered. Lag bolts are used in wood studs.
- In installation opening, measure 81-1/2" from floor and draw a horizontal line.
- Locate and mark the wall studs on horizontal line. Verify at least two studs have their centerlines within the center 32-1/2" of installation opening to ensure 2 wall studs are penetrated.
- The bracket will be centered left to right in opening with bottom of bracket on the horizontal line.
- When unit is placed in opening, the bracket tabs will align with openings in back of the unit. The unit will be secured to the bracket using supplied "L" bolts.

See Installation Instructions for detailed instructions.

ANTI-TIP BRACKET

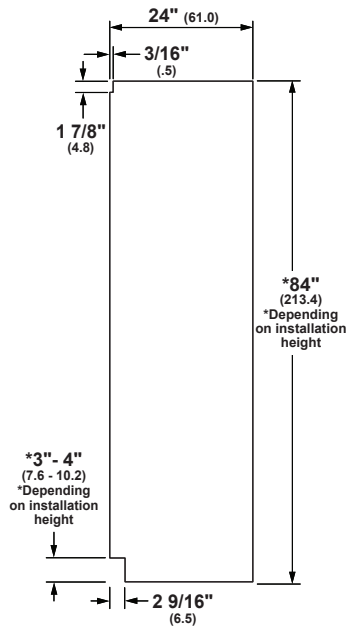


ELEVATE EVERYTHING™

MONOGRAM

CUSTOM SIDE PANELS

F



NOTES

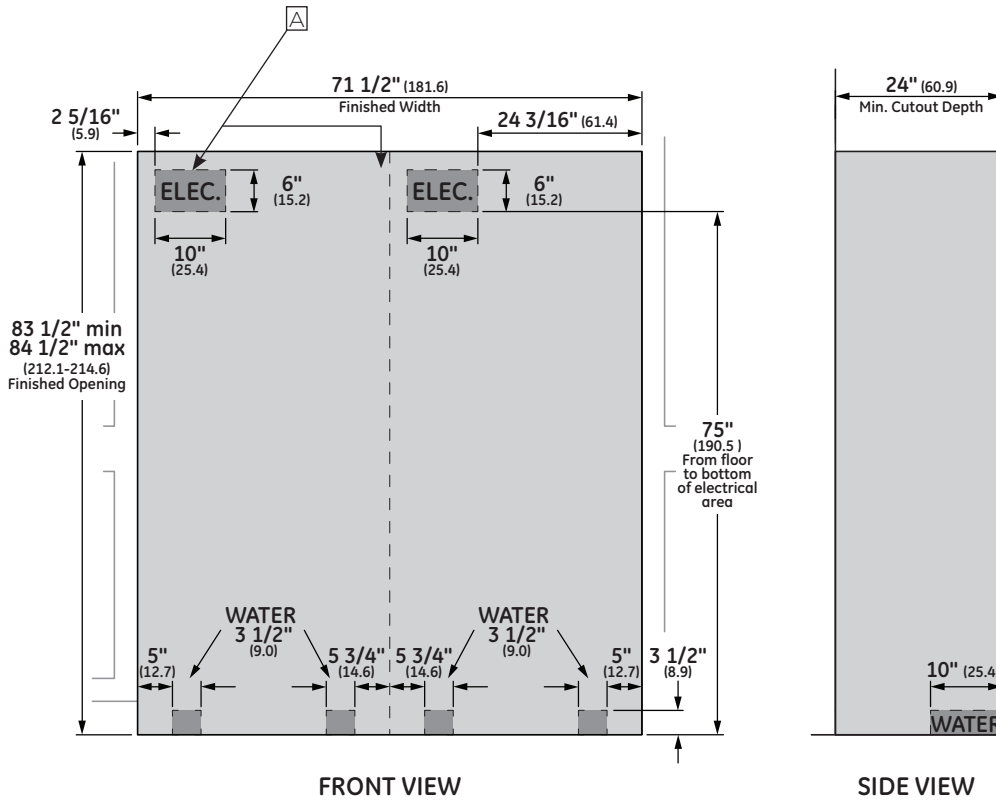
F Side panels must be used whenever the sides of the refrigerator will be exposed. The 1/4" side panels will slip into the side case trim. Secure the panels to the refrigerator with stick-on hook and loop fastener strips. Order the side panels from the cabinet manufacturer.

ELEVATE EVERYTHING™

MONOGRAM

MONOGRAM 36" BUILT-IN BOTTOM-FREEZER REFRIGERATOR ZICP360NHRH

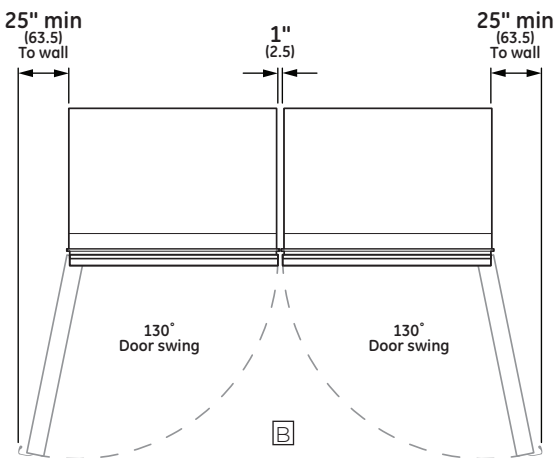
DUAL INSTALLATIONS



NOTES

- Ⓐ A separate 115V, 60Hz, 15- or 20-amp power supply is recommended for each product. Additional cutout width may be required when side panels are used.
- Ⓑ In a side-by-side installation of a left-and-right-hand door swing product, 1" clearance between the units is required. Order ZUGSS2 European, ZUGPP2 Professional or ZUG2 custom panel unified grille kit for one continuous grille panel.

DUAL PRODUCT CLEARANCES



ELEVATE EVERYTHING™

MONOGRAM

MONOGRAM 36" BUILT-IN BOTTOM-FREEZER REFRIGERATOR ZICP360NHRH

FEATURES AND BENEFITS

PROFESSIONAL APPEARANCE WITH STAINLESS STEEL
Conveys both a sense of solidity and beauty with tubular handles, louvered grille and chamfered, hand-finished edges

UPFRONT ELECTRONIC CONTROLS WITH DIGITAL READOUT
Allows precise temperature settings and are positioned for maximum ease of use

HUMIDITY CONTROLLED VEGETABLE COMPARTMENTS AND SEALED SNACK PANS
Help maintain freshness and help preserve foods longer

ADJUSTABLE, SPILL PROOF GLASS SHELVES
Make it easy to customize storage to handle foods and containers of various sizes

2 SEALED DELI PANS WITH FULL-EXTENSION SLIDES

SIX ADJUSTABLE DOOR BINS
Offer added storage flexibility

GE WATER™ FILTRATION SYSTEM
Delivers clean, great tasting ice



70 to 90% U.S. content. Product content details at GEAppliances.com USA



ELEVATE EVERYTHING™

MONOGRAM

Product Specification Revised 1/18