

MONOGRAM 30" BUILT-IN SINGLE OVEN

ZTSX1DSSNSS



THE MONOGRAM MINIMALIST COLLECTION

Streamlined design and precisely machined metals create a contemporary yet functional aesthetic

LCD CONTROLS

Allow you to adjust oven settings with little effort

WIFI CONNECT

Perfectly in sync with a busy lifestyle, Alexa or Google Home can be used to control an array of oven functions from both inside and outside the home

VOICE CONTROL

Sleek handle-less design now benefits from the convenience of voice control. Once programmed, you can use your voice to open the oven door, preheat the oven and more, all without raising a finger

NO-PREHEAT AIR FRY

A must-have for health-conscious cooks, the No-Preheat Air Fry mode crisps food to crunchy perfection, without using oils or butter

PRECISION COOKING MODES

Master new recipes and perfectly execute favorite dishes using this ultra-smart system that automatically tracks cooking progress, modifies temperatures and adjusts cook times

SCAN-TO-COOK

Innovative and time saving, scan-to-cook technology ensures that packaged foods are always prepared correctly. A simple scan of the barcode with a smartphone delivers consistently, delicious results

TWIN CONVECTION WITH DIRECT AIR

Achieve beautifully cooked and delicious meals every time with this expertly designed, third heating element and fan combination

5.0 CUBIC FOOT CAPACITY

Easily accommodates even the largest meals

EXCLUSIVE SELF-CLEAN, (2 FULL-EXTENSION, 1 REGULAR) OVEN RACKS

Glide in and out smoothly on stainless steel ball bearings, and are designed to be left in the oven during the self-clean cycle

TEN-PASS BAKE ELEMENT

Covers more surface area for more even baking results

EIGHT-PASS BROIL ELEMENT

Provides complete coverage and even browning, even for large dishes

SELF-CLEAN WITH STEAM CLEAN OPTION

Gives you flexible options for thorough oven cleaning

PUSH-TO-OPEN DOOR

Handle-free, push-to-open door adds a touch of elegant simplicity and stylish convenience to your wall oven.



SPECIFICATIONS

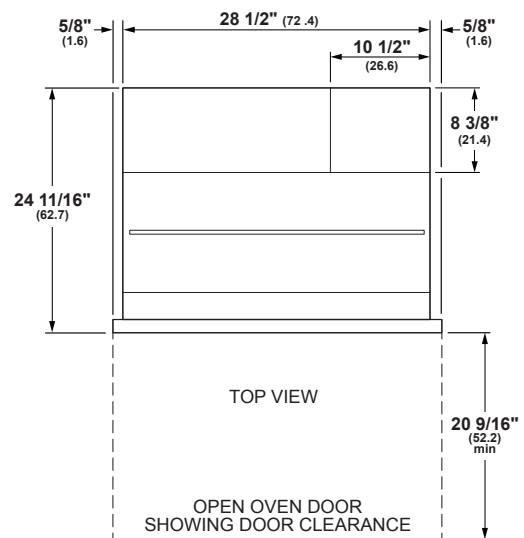
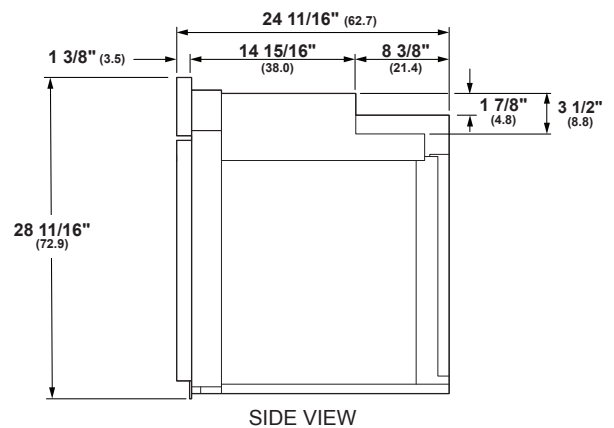
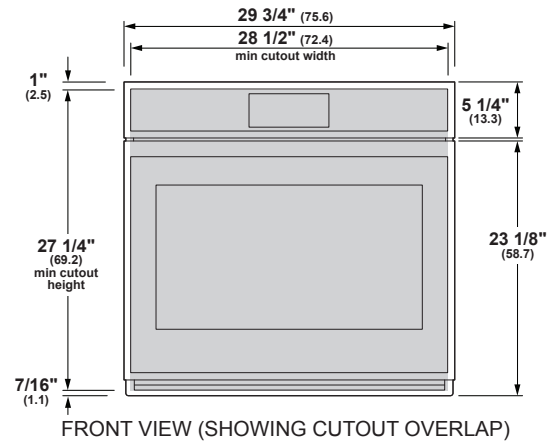
Overall Width	29 3/4" (75.6)
Overall Height	28 11/16" (72.8)
Overall Depth	24 11/16" (62.7)
Oven Door Clearance	20 9/16" (52.2)
Overall Oven Interior Capacity	5.0 cu. ft. (141.6 liters)
Oven Interior Dimensions (W x H x D)	25" x 17 3/8" x 20 1/4" (63.5 x 44.1 x 51.4)
Minimum Cabinet Width*	30" (76.2)
Minimum Cabinet Depth*	24" (61.0)
Minimum Base Support	220 lbs. (99 kg)
Cutout Width*	28 1/2" (72.4) Min 28 5/8" (72.7) Max
Cutout Height*	27 1/4" (69.2) Min 27 5/16" (69.4) Max
Cutout Depth*	23 1/2" (59.7) Min
Volts/Hertz/Amps	240/208 V AC, 60 Hz, 20A
Conduit Length	48" (72" available special order: WB18T10398)
Electrical Rating	3.4 kW at 208V 4.5 kW at 240V
Shipping Weight	184 lbs. (84 kg)

* Additional space will be needed for flush installation.

ATTENTION ELECTRICIAN:

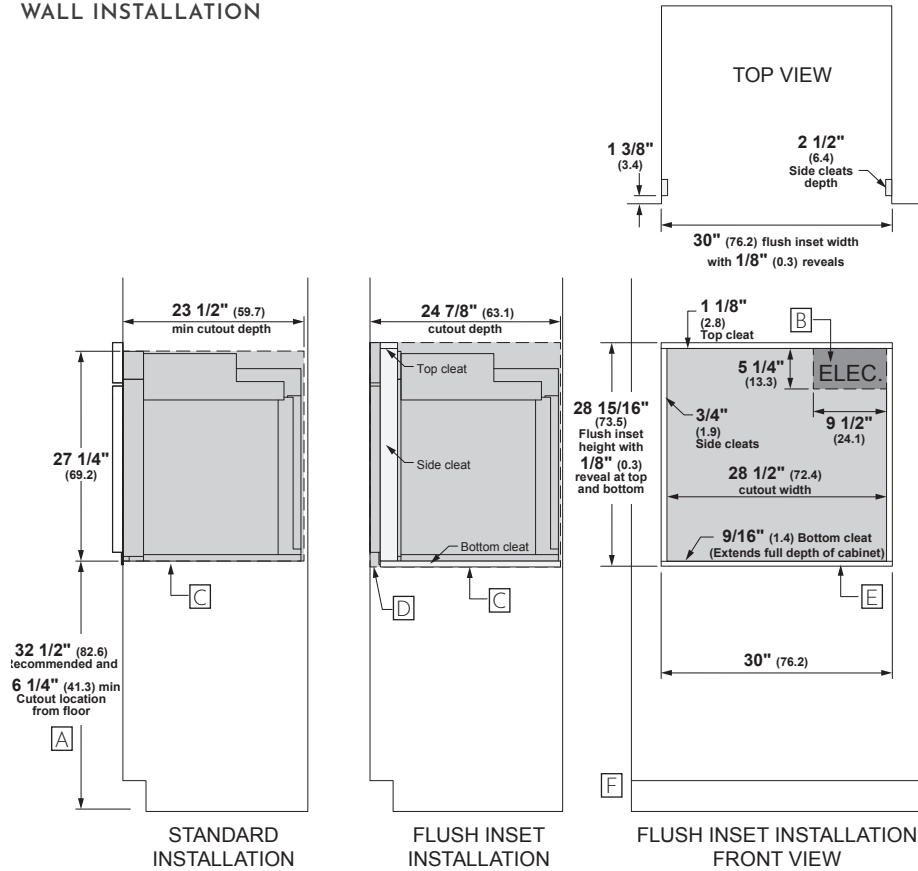
A 240/208V, 60Hz, 20 Amp circuit is required. An individual properly grounded branch circuit or circuit breaker is required. Hardware junction box is required for built-in product.

OVERALL DIMENSIONS



Dimensions in parentheses are in centimeters unless otherwise noted. Actual product dimensions may vary due to manufacturing tolerances.

WALL INSTALLATION



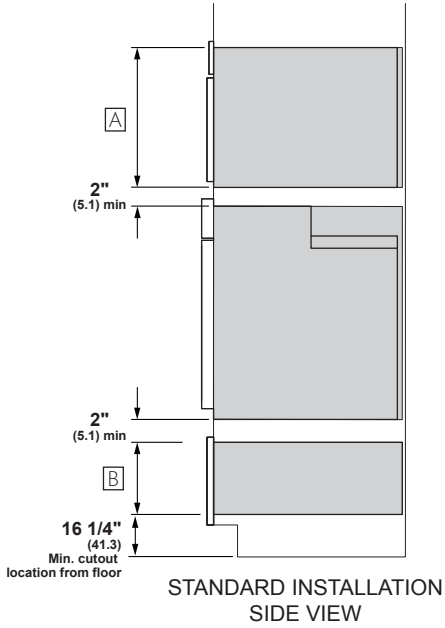
Allow 1/8" (0.3) clearances from side edges of oven door.

HELPFUL TIPS

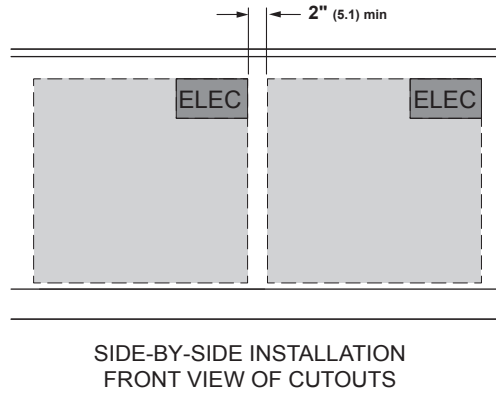
- [A] Based on a user height of 5' 6" to 5' 10" Min. cutout 16.25
- [B] Junction box location (May also be located in adjacent cabinet.)
- [C] Platform must be able to support 220 lbs (99 kg)
- [D] Cabinet surfaces must be an appearance finished surface for flush installation.
- [E] Cleats may be visible and should be finished to match cabinetry.
- [F] If using optional flush install vent trim accessory ZX30VT1, please adjust cutout height to 28-5/8" and bottom cleat height to 1/4".

For more details, refer to the installation instructions for this product on Monogram.com. Dimensions in parentheses are in centimeters unless otherwise noted.

INSTALLATION WITH ADVANTIUM AND WARMING DRAWER



SIDE BY SIDE INSTALLATION



HELPFUL TIPS

- A** Dimensions per Advantium or Microwave Oven requirements
- B** Dimension per Warming Drawer requirements

For more details, refer to the installation instructions for this product on Monogram.com. Dimensions in parentheses are in centimeters unless otherwise noted.