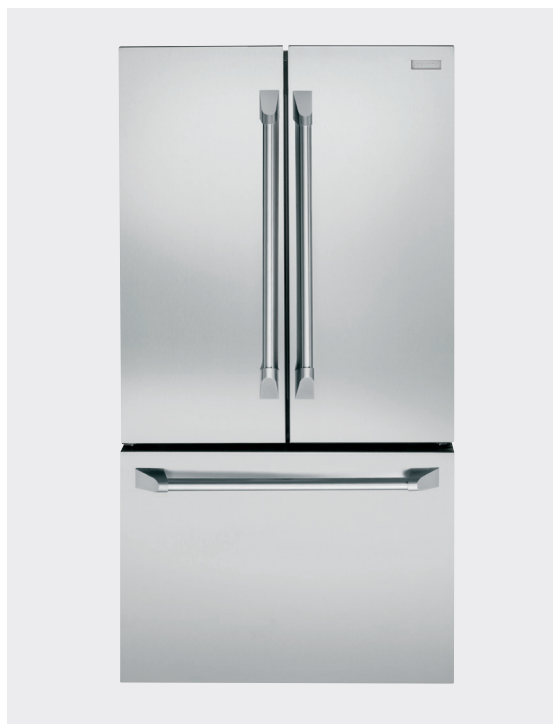
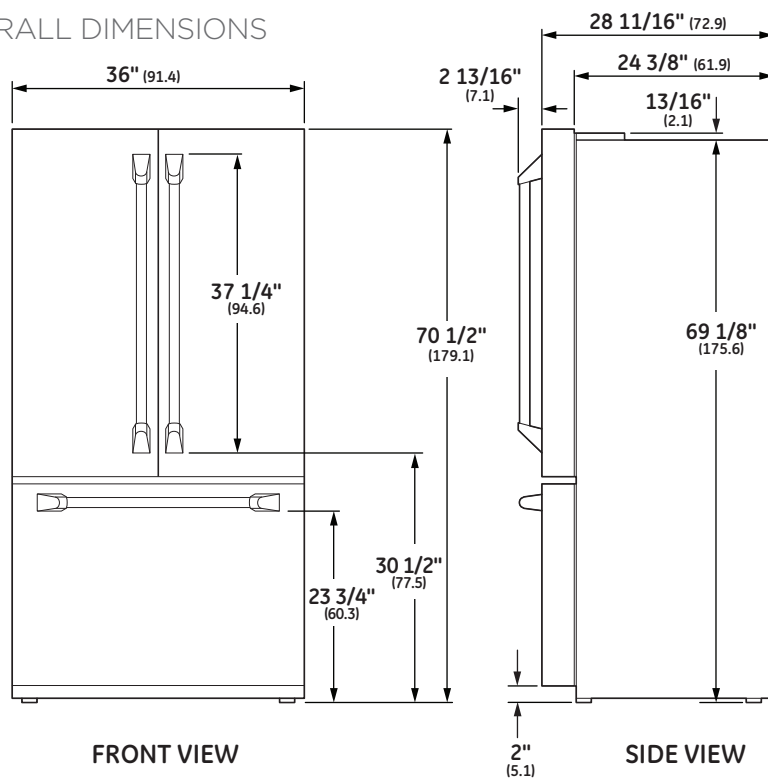


# MONOGRAM 36" FREE-STANDING FRENCH-DOOR BOTTOM-FREEZER REFRIGERATOR

ZWE23PSHSS



## OVERALL DIMENSIONS

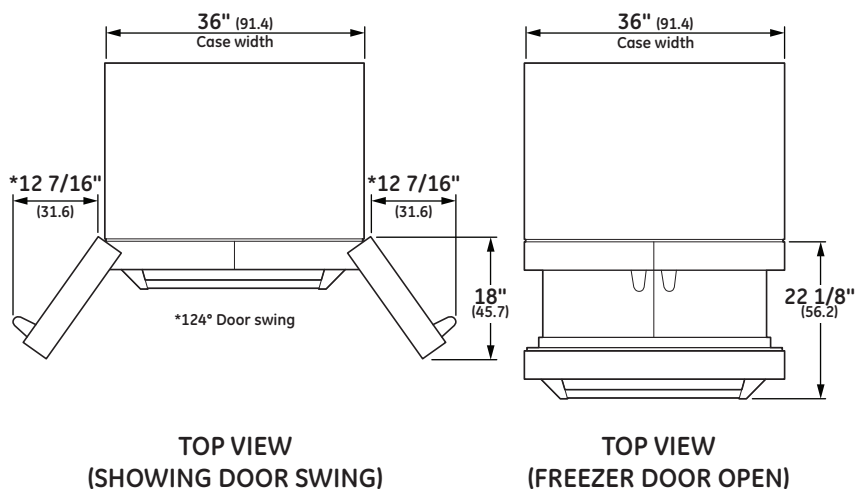


## SPECIFICATIONS

Overall Width	36" (91.4 cm)
Overall Height	70 1/2" (179.1 cm)
Overall Depth	31 1/2" (78.7 cm)
Door Clearance	22 1/8" (56.2 cm)
Cutout Width	36 1/4" (92.1 cm)
Cutout Height	71" (180.3 cm)
Cutout Depth	26 3/8" (67 cm)
Plumbing Requirements	1/4" OD copper tubing or GE SmartConnect kit
Shipping Weight	400 lb (181.4 kg)

### ATTENTION ELECTRICIAN:

A 115 volt 60Hz., 15 or 20 amp power supply is required. An individual properly grounded branch circuit or circuit breaker is recommended. Install a properly grounded 3-prong electrical receptacle recessed into the back wall.



Dimensions in parentheses are in centimeters unless otherwise noted. Actual product dimension may vary due to manufacturing tolerances.

ELEVATE EVERYTHING™

**MONOGRAM**

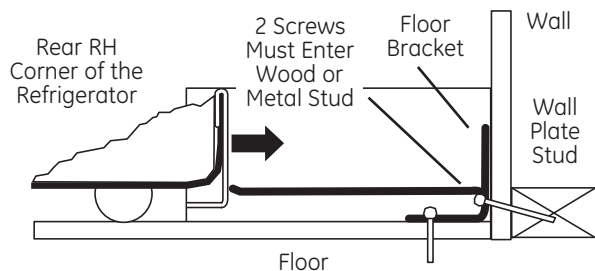
Product Specification Revised 1/18

# MONOGRAM 36" FREE-STANDING FRENCH-DOOR BOTTOM-FREEZER REFRIGERATOR

ZWE23PSHSS

## ANTI-TIP BRACKET INSTALLATION

### A Attachment to Wall and Floor



### AIR GAP INSTALLATION DIMENSIONS

Each Side	1/8" (.3 cm)
Top	1" (2.5 cm)
Back	2" (5.1 cm)

## NOTES

A The refrigerator is top heavy and must be secured to prevent the possibility of tilting forward.

**WARNING:**  
WOOD Wall and Floor Construction:

- Drill the appropriate number of 1/8" (3 mm) pilot holes in the center of each floor bracket hole being used (a nail or awl may be used if a drill is not available) AND remove the locator template from the floor.
- Mount the anti-tip floor bracket by fastening the 2 , or recommended 4, #10-16 hex-head screws tightly into place as illustrated in figure 3.

ELEVATE EVERYTHING®

**MONOGRAM**

# MONOGRAM 36" FREE-STANDING FRENCH-DOOR BOTTOM-FREEZER REFRIGERATOR

ZWE23PSHSS

## FEATURES AND BENEFITS

### TWINCHILL™ EVAPORATORS

Separate climates in the fresh food and freezer sections help keep foods fresh

### SHOWCASE LED LIGHTING

Positioned throughout the interior and under fresh food doors to spotlight foods inside the refrigerator and in the freezer

### FULL-WIDTH ELECTRONIC TEMPERATURE-CONTROLLED DRAWER WITH LED LIGHTS

3 accurate settings deliver the optimal temperatures for keeping foods fresh

### DROP-DOWN TRAY

Allows for extra door storage when you need it and tucks away when you don't

### QUICK SPACE SHELF

Functions as a normal full-sized shelf when needed and easily slides down for instant storage flexibility

### ADVANCED WATER FILTRATION USES RPWF REPLACEMENT FILTER

Reduces trace pharmaceuticals from water and ice\*  
(\*Removes 98% of ibuprofen, atenolol, fluoxetine, progesterone and trimethoprim. These pharmaceuticals are not necessarily in all users' water)



70 to 90% U.S. content. Product content details at [GEAppliances.com/USA](http://GEAppliances.com/USA)



ELEVATE EVERYTHING®

**MONOGRAM**

Product Specification Revised 1/18