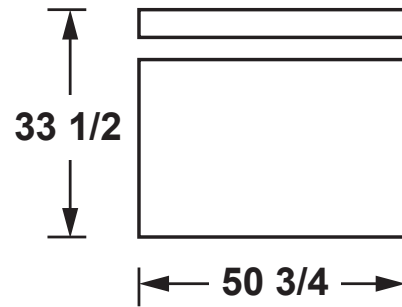


FCM11PH

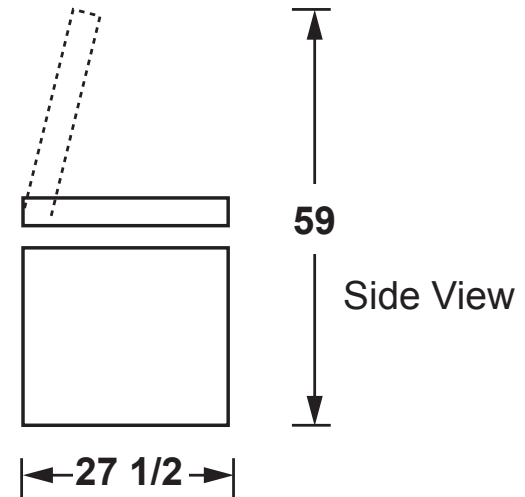
GE® 10.6 Cu. Ft. Chest Freezer

DIMENSIONS AND INSTALLATION INFORMATION (IN INCHES)

AIR CLEARANCE	
Each side (in.)	3
Back (in.)	3



Front View



Side View



For answers to your Monogram, GE Café™ Series, GE Profile™ Series or GE Appliances product questions, visit our website at geappliances.com or call GE Answer Center® Service, 800.626.2000.



Listed by
Underwriters
Laboratories



As an ENERGY STAR® partner, GE has determined that this product meets the ENERGY STAR guidelines for energy efficiency.

Specification Revised 6/17

FCM11PH

GE® 10.6 Cu. Ft. Chest Freezer

FEATURES AND BENEFITS

10.6 cu. ft. capacity

Interior lighting - Makes it easy to see what is inside

Lock with key - Allows you to protect your valuable food items from unintentional entry

Power "On" light - Easily see if the freezer is working without having to open the door

3 lift-out, sliding bulk storage baskets - Offers flexibility to organize and store favorite foods for quick, easy access

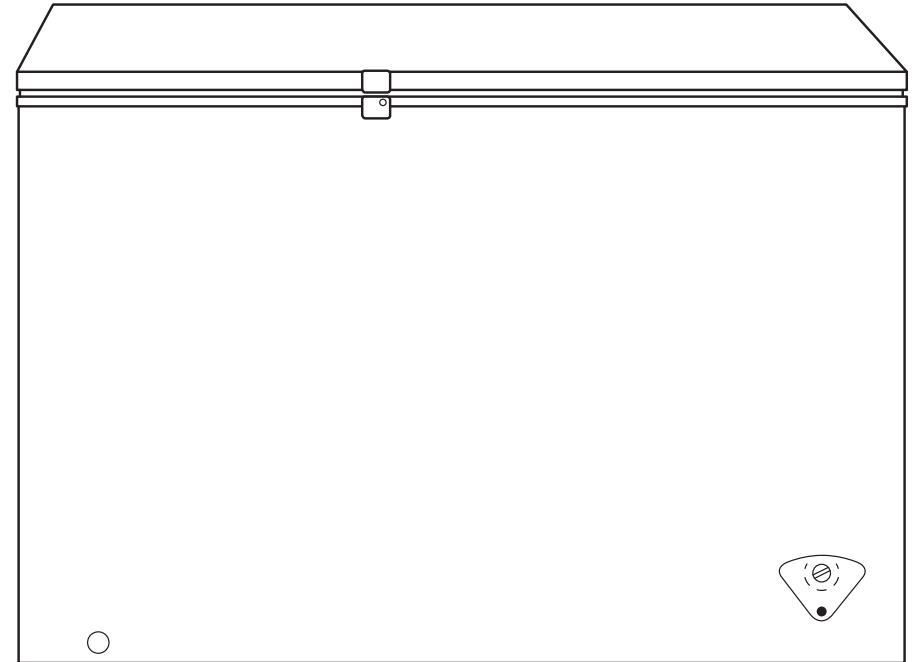
Adjustable temperature control - Easy to use controls to select the temperature for your needs

Recessed handles - A streamlined design offers a clean appearance

Upfront defrost water drain - Conveniently located to easily drain water during defrosting

Manual defrost - Manually defrost the freezer on your schedule

Model FCM11PH - White



For answers to your Monogram, GE Café™ Series, GE Profile™ Series or GE Appliances product questions, visit our website at geappliances.com or call GE Answer Center® Service, 800.626.2000.



Listed by
Underwriters
Laboratories



As an ENERGY STAR® partner, GE has determined that this product meets the ENERGY STAR guidelines for energy efficiency.

Specification Revised 6/17